

# GLASS FROM THE TELL FARAMA/PELUSIUM EXCAVATIONS 2003–2006

Krystyna Gawlikowska  
Independent researcher

**Abstract:** The paper presents 89 selected glass fragments found during the four seasons of excavation in Pelusium, in and around the theater. They represent mostly tableware and lamps dated from the 1st century to the 7th, but most of the material is from the 5th century or earlier. It parallels the finds from the Egyptian Mediterranean coast, and shows close affinities to the glass of Syria-Palestine.

**Keywords:** Pelusium, glass, tableware, lamps

The glass material comes from the Polish–Egyptian excavations in Tell Farama (ancient Pelusium), which were started in 2003 near the *proscenium* and west *parodos* of the theater, and which were continued in 2004 in and around the theater and in Sector 1 north of it [Fig. 1]. In 2005–2006, investigations were continued in Sector 1 and opened in Sector 2 situated 75 m east of it. The excavations were directed in the first two seasons by Michał Gawlikowski and in the next two seasons by Krzysztof Jakubiak.

The theater was dismantled, probably in late Antiquity (Gawlikowski 2004; Jakubiak 2004). Only parts of red brick substructures remained in place, further damaged in modern times by a military post installed in the orchestra. The stratigraphy in this area was heavily disturbed, resulting in the few glass fragments from

the theater being dated on typological grounds alone. The pottery from the theater building came from the late 4th to early 5th century AD, while the earlier structures beneath have been dated to the 1st century AD (Jakubiak 2005).

Sector 1 represented a row of shops fronting a house and opening onto a street. Brick recovery and numerous excavated pits combined to destroy the structure. It was dated to the late 3rd and the early 4th century, but the area was used well into the 7th century (Jakubiak 2007).

Sector 2 included a corridor covered with a mosaic, part of a larger unit. Coins of the early 4th century and Gaza 4 amphorae provide a date for the building in the 4th–5th centuries. Fragmentary remains of a presumed church in the same sector should be attributed to the 6th century (Jakubiak 2008).

## THE GLASS ASSEMBLAGE: GENERAL CHARACTERISTIC

Glass from Tell Farama is neither abundant nor well preserved. There are no whole vessels except for two nearly complete objects. The poor condition of the finds is due to the salinity and humidity of the soil. The small assemblage of glass finds from the theater area in 2003 was increased substantially in the later seasons, when excavation started in the residential area in Sectors 1 and 2.

Finds from the theater area are heavily weathered and feature a brown coating. In other areas, a milky crust and various stages of iridescence are predominant. A thick, flaking layer of weathering makes it in most cases impossible to determine the original color and distinguish the decoration patterns in detail. Among the identified colors light to dark green is predominant and olive-green well represented, while light and dark blue, as well as grayish to colorless, were also noted.

All in all, 140 fragments were found, some of them on the surface. A selection of 89 identifiable pieces were drawn on site by Krzysztof Jakubiak, Szymon Maślak, and Olga Wasilewska. The selected fragments include bases, rims, necks, stems, handles, and some decorated body shards. Fragments not selected are tiny and severely corroded, making them of little use.

The finds include mostly everyday tableware: bowls, beakers and goblets, bottles, and single examples of jugs and dishes (52 pieces altogether). Lighting devices are numerous (fragments of 30 lamps). There are also cosmetic utensils (unguentaria or kohl containers) and finally some heavily corroded items of adornment, such as bracelets and necklace beads. Orange and blue glass cubes can be found among

the stone tesserae on the floor mosaic in Sector 2.

Bowls from the Roman times include a "zarte Rippenschale" of the 1st century (Cat. 2), a wheel-cut vessel (Cat. 3) of the 3rd century and one with pinched out projections of the 4th century (Cat. 4). Bowls with pinched base and toes are dated to the 3rd through 7th centuries (Cat. 62–63). They were very popular in Egypt, Cyprus, and Syria–Palestine. One bowl from the 6th century has three marvered threads, darker than the body, under the rim (Cat. 5). Another example is a large deep bowl (Cat. 6), dated to the late 5th century.

Beakers and goblets constitute a large group. They have flat or slightly concave bases (Cat. 40–43), cut-out (Cat. 44, 45, 54, 55) or pad bases (Cat. 56, 59). Goblets with cracked-off or rounded rim and cylindrical hollow stem (Cat. 33–36) are contemporary to those with plain beaded stem and foot either plain or hollow and pushed-in (Cat. 37–39). All are from the 6th–7th centuries.

Two bottles (Cat. 65, 72) came from structures of 3rd–4th centuries date, while others (Cat. 66, 68, 71) were rather from the 4th–5th centuries or later. The date of a small bottle found out of context (Cat. 73) cannot be determined and another (Cat. 74) is even later. A jug with one large thread on the neck and partly preserved strap handle (Cat. 85) goes back to the 2nd–3rd centuries. There is also a fragment of a decorated dish (Cat. 1) with best parallels in the 3rd century, and another fragmentary dish (Cat. 60) from the 4th century.

Finally, there are two cosmetic utensils: a twin tubular container of the 3rd–4th centuries, wound spirally with marvered threads (Cat. 84), and a thick unguent bottle of the 2nd–3rd centuries (Cat. 83).

A third of the blown vessels shows decoration in various techniques: applied

coils (Cat. 34, 66–67, 71, 85) and impressed blobs (Cat. 7, 8), marvered or fused-in threads (Cat. 5, 84), pinched out projections (Cat. 4), and indents (Cat. 44). Sometimes they are supplemented with wheel-cut roundels and wheel-abraded lines and scratch engraving (Cat. 1) or

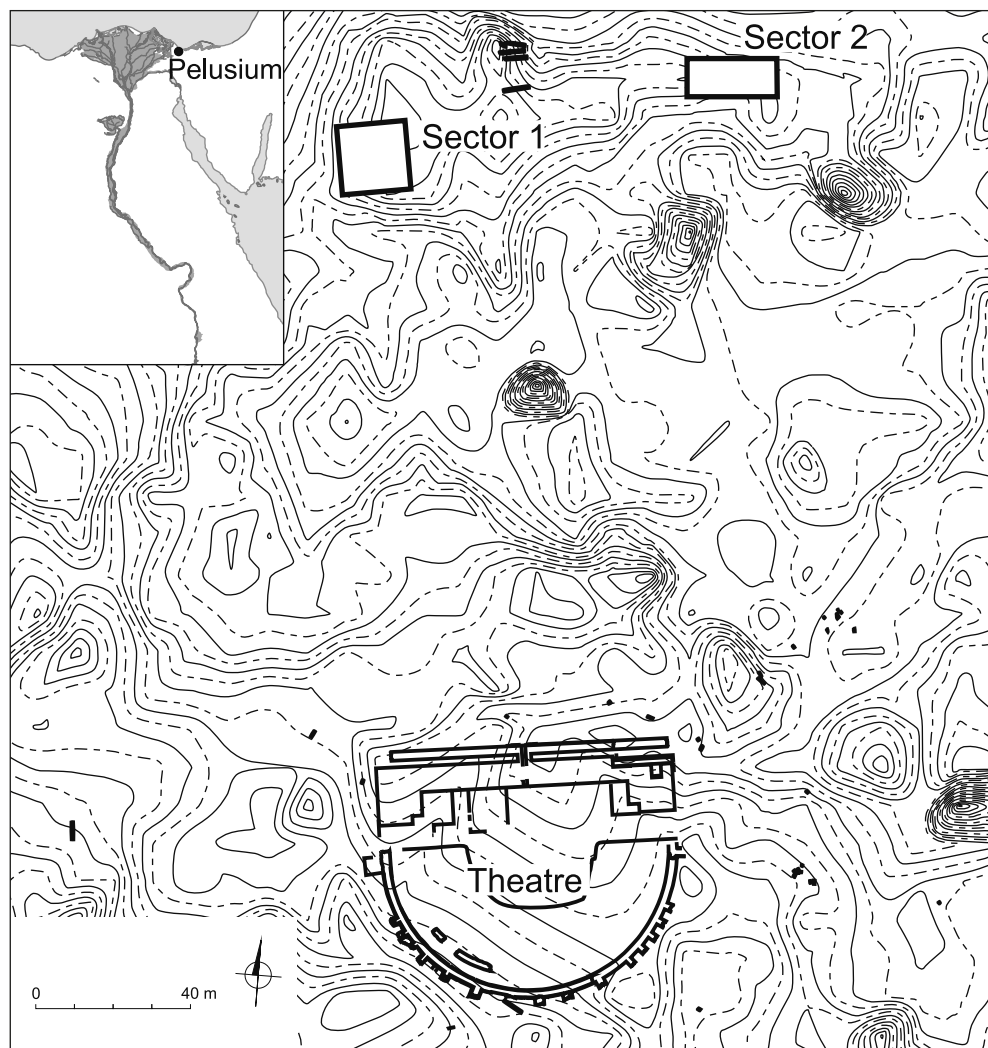


Fig. 1. Sectors of the Polish–Egyptian excavations at Tell Farama/Pelusium (2003–2006)  
(PCMA Pelusium Project/drawing S. Maślak)

facets and grooves (Cat. 3). Stems of lamps can be swirled (Cat. 27–29) and brazelets drawn and twisted (Cat. 87, 88).

A variety of bases for various vessel types were recorded: hollow or solid base-rings (Cat. 46, 61), a tall base-ring (Cat. 60), pad or disk bases (Cat. 56, 57), concave cut-out bases (Cat. 44, 45, 54, 55) (Hayes 1975: No. 374, with extensive bibliography; Weinberg and Goldstein 1988: 60–62, for their Near Eastern origin; Cohen 1997: 410–411, Pl. III 14–17), bases pinched and with toes, frequently found on many Eastern Mediterranean sites (Cat. 62, 63). Also well represented are coil bases of bowls, flasks or jugs, wound one to four times around the bottom from 2 cm to 8 cm in diameter (Cat. 47–49, 50–53) (frequent in late Roman Egypt; see also Weinberg and Goldstein 1988: 58–59; Sternini 1999: Figs 116–132; Sternini 2001: Fig. 20; Gorin-Rosen and Katsnelson 2007: 88–90). There are also some goblet feet, plain or folded (Cat. 37–39).

Necks of bottles or flasks are cylindrical, flaring, or funnel-shaped (Cat. 65–74). They can be constricted at the junction with the body (Cat. 72, 73) or have a horizontally ribbed neck (Cat. 74).

The rims of bottles, goblets, and bowls can be rounded, outspread (Cat. 4, 70) or everted horizontally (Cat. 6). Cracked-off rims occur on goblets or lamps (Cat. 32, 33). This type of rim is frequent on the Mediterranean coast (for Beirut, see Jennings et al. 2006: 84–102; for Marina el-Alamein, see Kucharczyk 2010b: Fig. 6). Ground rims belonged to beakers or lamps (Cat. 7–9) and to a bowl (Cat. 3).

The lighting devices included different kinds of lamps, both standing and hanging: tumbler lamps (Cat. 12–13), beaker-shaped lamps with grooves and sometimes with blobs (Cat. 7–9), tumblers with handles

(Cat. 76, 77). Chandelier lamps have various stems, solid or hollow, made to be inserted into polycandela. Solid stems are short with rounded or coil wound knobs (Cat. 14–16). Hollow stems can be bulbous (Cat. 32), pear-shaped (Cat. 10–11), long with thick, rounded or pointed bases (Cat. 18–21) (Olczak 1995: Pls G, H, I, J) or with flat and thin bases (Cat. 17, 26). Stems can be hollow and beaded (Cat. 22) or solid and constricted (Cat. 25). All these types of stems can be dated to the 4th–6th centuries. Twisted stems are generally rare, but there are four (Cat. 27–29 and one not drawn). They are dated to the 6th–7th centuries. Some lamps (Cat. 23, 30, 31) are preserved with a pontil wad still attached to their rounded bases.

The finds are dated from the 1st to the 7th centuries AD, extending from the Roman to the early Byzantine periods. The chronological spectrum is the broadest in Sector 1, the bulk of finds coming from the 2nd to the 5th centuries. The ribbed bowl of the “zarte Rippenschale” type with pronounced ribs and thick arcades is dated to the 1st century. The forms here are also varied: small or large bottles, beakers, goblets, and lamps with different stems, and with or without handles. The 43 fragments from this sector seem haphazard and do not form a consistent assemblage. By contrast, practically all the 37 fragments from Sector 2 are placed in the 4th–5th centuries. Stemmed lamps dominate, but vessels with coil bases are also numerous, footed goblets coming second. Not surprisingly these solid parts of vessels tend to be preserved more often. Only a few beaker or goblet rims were noted in the assemblage. The few remaining fragments come from the theater area, from mixed contexts, and include forms from the 1st through 4th centuries AD.

## CATALOGUE

Key: L. = length; W. = width; H = height; Th. = thickness; Dia. = diameter; est. = estimated; pres. = preserved; all dimensions given in centimeters (cm).

<b>Cat. 1</b>	<b>Dish, flat base, fragment</b>	[Fig. 2:1]
<i>Site Inv. No.</i> P.03/loc.2/24	<i>Dimensions:</i> L. 5; W. 6.5; Th. 0.4	<i>Dating:</i> 3rd century
<i>Provenance:</i> Theater, Locus 2	<i>Material and technique:</i> Color unidentified under black patina and heavy corrosion. Thick glass, wheel-cut, engraved and scratched.	
	<i>Description:</i> Continuous tortoise-shell-like pattern on the flat exterior: irregular adjoining octagons containing wheel-cut roundels with raised centers; four cross-hatched rectangles on opposite sides of each octagon.	
	<i>Parallels:</i> Pattern similar to Fremersdorf 1967: 37, Pl. 163 and 99, Fig. 14, Pl. 94; Whitehouse 1988: Fig. 5; for shape, compare Fremersdorf 1967: Pl. 103; Whitehouse 1997: No. 446	
<b>Cat. 2</b>	<b>Bowl, finely ribbed, fragment</b>	[Fig. 2:2]
<i>Site Inv. No.</i> PL 05/134	<i>Dimensions:</i> H. 3; W. 3.6	<i>Dating:</i> 1st century
<i>Provenance:</i> Sector 1, area 1, context 19	<i>Material and technique:</i> Dull, milky white glass, silver iridescence. Applied, tooled.	
	<i>Description:</i> Decoration on body and shoulder consisting of vertical ribs (two of them preserved) joined under the shoulder (type known as “zarte Rippenschale”).	
	<i>Parallels:</i> See Isings 1957: Form 17; Berger 1960: Pls 14.218, 18.40 (218); Saldern et al. 1974: No. 263; Hayes 1975: No. 636 (arcaded effect); Matheson 1980: No. 101; Jennings 1997–1998: Figs 4:6–8, 5 (top left); Kunina 1997: No. 204–211; Fünfschilling 1999: Nos 175–177; Whitehouse 2001: Nos 758–767, especially 762; Jennings et al. 2006: Fig. 3.2	
<b>Cat. 3</b>	<b>Bowl, fragment</b>	[Fig. 2:3]
<i>Site Inv. No.</i> P.03/loc.2/50	<i>Dimensions:</i> H. 3.4; W. 3.5; Th. 0.3; Dia. 12 (est.)	<i>Dating:</i> 3rd century
<i>Provenance:</i> Theater, Locus 2	<i>Material and technique:</i> Color unidentified under enamel-like patina, corroded. Thick glass, wheel-cut, grooved.	
	<i>Description:</i> Decorated with a row of cut, vertical, elongated oval facets (three facets forming a sloping line, partly preserved), above them three horizontal grooves.	
	<i>Parallels:</i> See Clairmont 1963: No. 353, Pls IX, XXXI; Dussart 1998: Pl. 5:6; Brun 2003: Nos 36–40, Fig. 241	

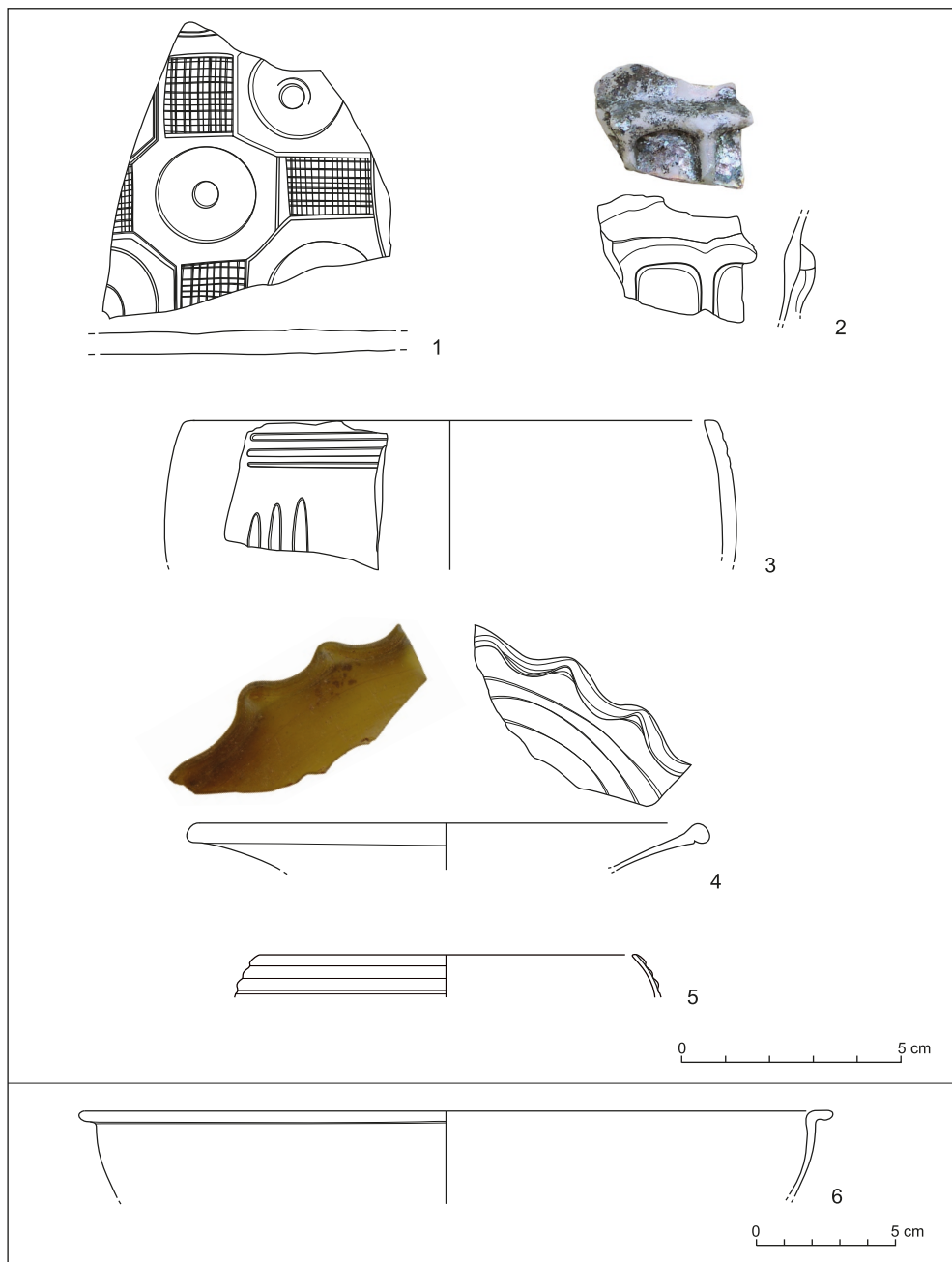


Fig. 2. Dish and bowls

<b>Cat. 4</b>	<b>Deep bowl, rim and side, fragment</b>	[Fig. 2:4]
<i>Site Inv. No.</i> PL 06/2/399	<i>Dimensions:</i> Dia. est. 12; L. pres. 5.8	<i>Dating:</i> 4th century
<i>Provenance:</i> Sector 2, locus VIII	<i>Material and technique:</i> Olive green, without iridescence. Pinched and pulled.	
	<i>Description:</i> Rounded, thickened, outspread rim with four pointed scallops preserved. Three circular incised lines on the inside.	
	<i>Parallels:</i> Harden 1936: Nos 257, 259, Pl. XIV; Tatton-Brown 1984: Fig. 65, No. 10; Foy 1995: Pl. 11:102–105 (Form 16); Sternini 1995: Figs 6, 33, 34; Kondoleon 2000: No. 83 (Egyptian manufacture, imitation of silver bowls); Whitehouse 2001: No. 650; Arveiller-Dulong and Nenna 2005: Nos 965, 1270 (footed deep bowl); Jennings et al. 2006: Fig. 4.9, No. 1 (rim with pinched out projections, very small number in Beirut, imports).	
<b>Cat. 5</b>	<b>Bowl, rim, fragment</b>	[Fig. 3:5]
<i>Site Inv. No.</i> PL 06/2/126	<i>Dimensions:</i> Dia. est. 8	<i>Dating:</i> 6th century
<i>Provenance:</i> Sector 2, locus IV	<i>Material and technique:</i> Blue with dark blue threads. Applied.	
	<i>Description:</i> Rounded rim, inclined. Three applied and fused-in threads around the rim.	
	<i>Parallels:</i> See Katsnelson 1999: Fig. 2,9–11; Shindo 2003: Fig. 2,2; Dussart 2007: Fig. 8:5a	
<b>Cat. 6</b>	<b>Deep bowl</b>	[Fig. 2:6]
<i>Site Inv. No.</i> PL 06/2/276	<i>Dimensions:</i> Dia. 26; H. pres. 3	<i>Dating:</i> 5th century
<i>Provenance:</i> Sector 2, locus IV	<i>Material and technique:</i> Heavily corroded.	
	<i>Description:</i> Horizontally everted rim in the form of a hook.	
	<i>Parallels:</i> See Riis 1957: Fig. 23; Hayes 1975: No. 591 (4th century AD); Meyer 1992: Pl. 17, No. 442; Jennings et al. 2006: Fig. 9,11:6–9 and pages 208–209; Kucharczyk 2010b: Fig. 4:5	
	<i>Comment:</i> The form of the rim is well represented in early Islamic contexts.	

*Illustrations: PCMA Pelusium Project/drawings O. Wasilewska, S. Maślak, E. Czyżewska-Zalewska*

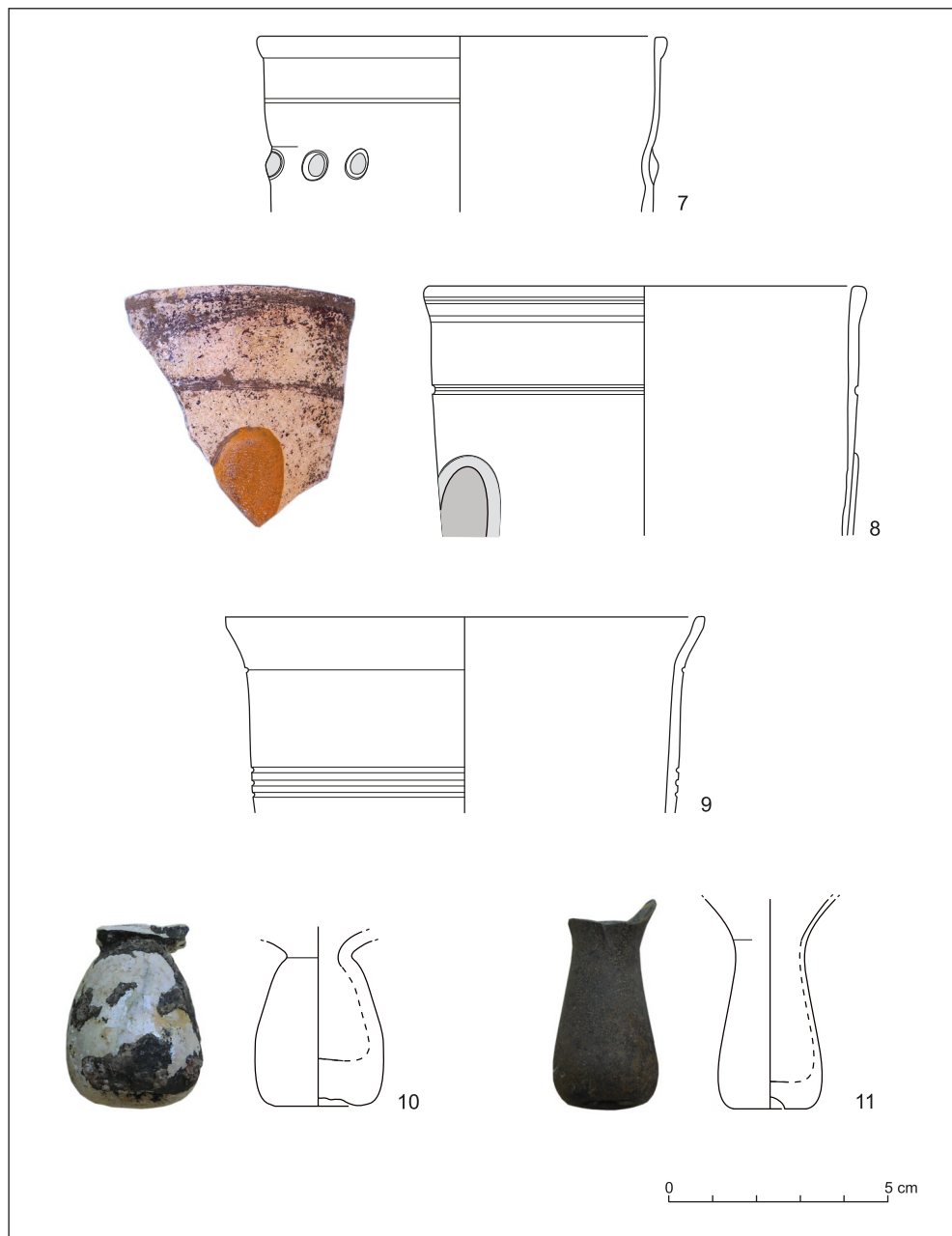


Fig. 3. Conical beakers/lamps and lamp stems



<b>Cat. 7</b> <b>Conical beaker or lamp</b> <span style="float: right;">[Fig. 3:7]</span>		
<i>Site Inv. No.</i> PL 06/2/180	<i>Dimensions:</i> H. pres. 4; Dia. 9	<i>Dating:</i> 4th–5th centuries
<i>Provenance:</i> Sector 2, locus I	<i>Material and technique:</i> Green with dark blue blobs under heavy corrosion. Wheel-abraded, impressed.	
	<i>Description:</i> Ground rim, wheel-abraded lines underneath. At 3 cm below the rim, a row of small, circular blobs are impressed (three preserved, ca 6 cm wide).	
	<i>Parallels:</i> See Harden 1936: No. 460, Pls V, XVI; Fontaine 1952: Pl. 2,9; Isings 1957: Form 106b2; Sorokina 1967: Fig. 4-10; Saldern et al. 1974: No. 728; Weinberg and Goldstein 1988: Fig. 4-46:406; Foy 1995: Pl. 9; Dussart 1997: Pl. 26:6; Bailey 1998: Pl. 93, Y38; Dussart 1998: Pl. 13,5; Foy 2001: Pl. 1,2 (5th–6th centuries); Jennings et al. 2006: Fig. 5.17 (mid-4th–early 5th centuries); Jones 2006: No. 84	
<b>Cat. 8</b> <b>Conical beaker or lamp</b> <span style="float: right;">[Fig. 3:8]</span>		
<i>Site Inv. No.</i> PL 06/2/64	<i>Dimensions:</i> Dia. 10; H. pres. 5.6	<i>Dating:</i> 4th–5th centuries
<i>Provenance:</i> Sector 2, locus II	<i>Material and technique:</i> Dark green with a brown blob. Heavily corroded. Wheel-abraded, grooved, impressed.	
	<i>Description:</i> Straight body, ground rim, several parallel abraded lines under the rim and 2.5 cm below. One large, ovoid, elongated blob, impressed, 3.8 cm under the rim, H. pres. 1.7 cm.	
	<i>Parallels:</i> See Harden 1936: No. 457, Pls V, XVI; Isings 1957: Form 106 b2; Cohen 1997: Pl. III,6; Rodziewicz 2005: Pl. 9.187, 188	
<b>Cat. 9</b> <b>Beaker or lamp</b> <span style="float: right;">[Fig. 3:9]</span>		
<i>Site Inv. No.</i> PL 06/2/T1	<i>Dimensions:</i> H. pres. 4.8; Dia. 11	<i>Dating:</i> 4th century
<i>Provenance:</i> Theater, test trench	<i>Material and technique:</i> Color unidentified under dark heavy crust. Grooved.	
	<i>Description:</i> Vertical wall, everted ground rim, four horizontal cut grooves on the body, one at 1.2 cm, the other three at 3.5–4 cm under the rim.	
	<i>Parallels:</i> See Isings 1957: Form 106 b2; Clairmont 1963: Pl. III,94; Rütli 1991: AR 68; Meyer 1992: Nos 133–140; Dussart 1998: Pl. 8,32; Peacock 2011: Fig. 7.7:81	
<b>Cat. 10</b> <b>Lamp, stem</b> <span style="float: right;">[Fig. 3:10]</span>		
<i>Site Inv. No.</i> PL 05/446	<i>Dimensions:</i> H. pres. 4; Dia. base 2.2	<i>Dating:</i> early 5th century
<i>Provenance:</i> Sector 2, area 1, surface	<i>Material and technique:</i> Olive-green under white and brown crust. Pontil mark.	
	<i>Description:</i> Pear-shaped hollow stem, flaring bowl, base 1 cm thick.	
	<i>Parallels:</i> See Harden 1962: No. 54 (5th–7th centuries); Jennings 1997–1998: Type 2b, Figs 20,15, and 18 (left); Jennings et al. 2006: Type 3 (bulbous-stem lamp), Figs 6.12:11,15, 6.14	

<b>Cat. 11</b>	<b>Lamp, stem</b>	[Fig. 3:11]
<i>Site Inv. No.</i> PL 05/143	<i>Dimensions:</i> H. pres. 4.8; Dia. base 1.8	<i>Dating:</i> early 5th century
<i>Provenance:</i> Sector 2, area 1, surface	<i>Material and technique:</i> Olive-green, covered with brown patina.	
	<i>Description:</i> Thick base, pontil mark, pear-shaped hollow stem, flaring bowl.	
	<i>Comment:</i> Similar to Cat. 10.	
<b>Cat. 12</b>	<b>Lamp, base</b>	[Fig. 4:12]
<i>Site Inv. No.</i> PL 05/199	<i>Dimensions:</i> Dia. 1.6	<i>Dating:</i> 4th–5th centuries
<i>Provenance:</i> Sector 1, area 1, no context	<i>Material and technique:</i> Olive-green, translucent, pitted.	
	<i>Description:</i> Thick, slightly concave base, pontil mark. Similar fragment PL 05/347, not illustrated.	
	<i>Parallels:</i> See Crowfoot and Harden 1931: Pl. XXIX,26; Erdmann 1977: Pl. 2, No. 96; Kucharczyk 2007a: Fig. 1:11; Russo 2007 Pl. 3,60	

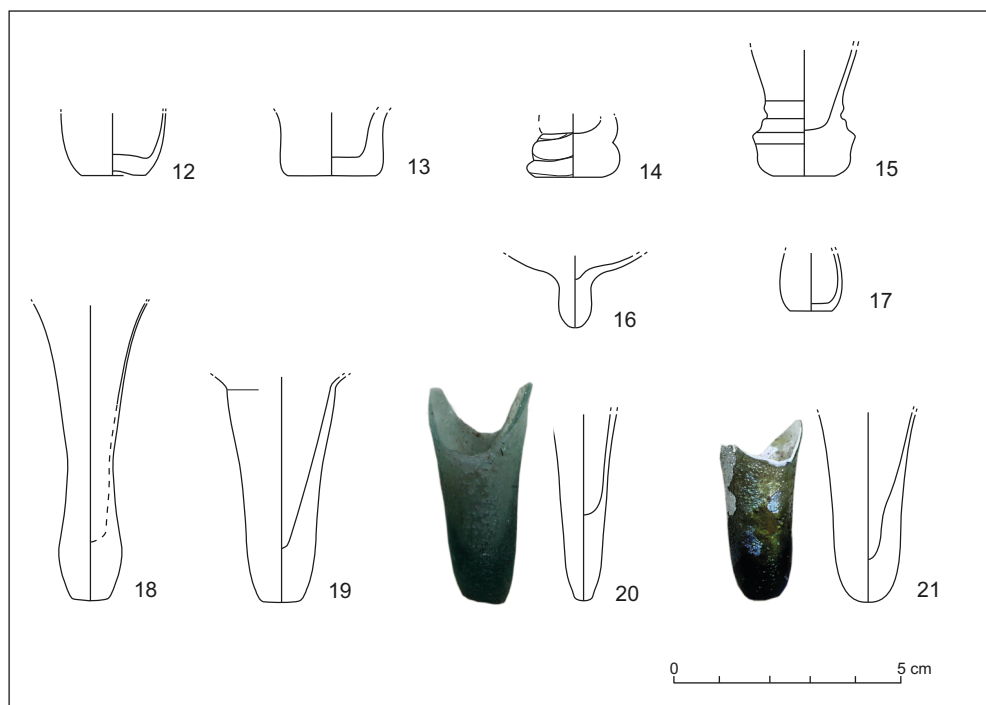


Fig. 4. Bases and lamp stems

<b>Cat. 13</b>	<b>Lamp, base</b>	[Fig. 4:13]
<i>Site Inv. No.</i> PL 05/197	<i>Dimensions:</i> Dia. 2.2; H. pres. 1.4	<i>Dating:</i> 4th–5th centuries
<i>Provenance:</i> Sector 1, area 1, no context	<i>Material and technique:</i> Color unidentified under brown crust.	
	<i>Description:</i> Thick flat base, thick walls, slightly flaring.	
	<i>Parallels:</i> See Baur 1938: No. 9, Fig. 17 (tumbler-shaped lamp, Type C); Erdmann 1977: Pl. 2, No. 86; Dussart 1997: Pl. 23:17; Russo 2007: Pl. 3,61	
<b>Cat. 14</b>	<b>Lamp, base</b>	[Fig. 4:14]
<i>Site Inv. No.</i> PL 05/429	<i>Dimensions:</i> Dia. 1.8	<i>Dating:</i> 4th–6th centuries
<i>Provenance:</i> Surface	<i>Material and technique:</i> Color unidentified under enamel-like patina.	
	<i>Description:</i> Terminal knob, wound two times, conical body missing.	
	<i>Parallels:</i> See Fontaine 1952: Pl. 1,2; Ubaldi 1995: Type II.3; Mossakowska-Gaubert 2000: Type 3, Nos 18, 19, 21; Mossakowska-Gaubert 2004: VI 3, Fig. 4; Kucharczyk 2007a: Fig. 1:4–6; Kucharczyk 2007b: Fig. 3:1; Antonaras 2008: Pls 3:7, 5:7	
<b>Cat. 15</b>	<b>Lamp, base</b>	[Fig. 4:15]
<i>Site Inv. No.</i> PL 04/303	<i>Dimensions:</i> Dia. 1.8	<i>Dating:</i> 4th–6th centuries
<i>Provenance:</i> Surface	<i>Material and technique:</i> Olive-green, enamel-like patina on the knob.	
	<i>Description:</i> Conical body, three times wound knob, made separately.	
	<i>Comment:</i> Similar to Cat. 14.	
<b>Cat. 16</b>	<b>Lamp, base</b>	[Fig. 4:16]
<i>Site Inv. No.</i> P.04/343	<i>Dimensions:</i> H. pres. 1.4	<i>Dating:</i> 5th century
<i>Provenance:</i> Surface	<i>Material and technique:</i> Olive-green, pitted, translucent.	
	<i>Description:</i> Flaring bowl with a small, rounded plain terminal knob (rounded base).	
	<i>Parallels:</i> See Isings 1965: Fig. 434; Chavane 1975: Pls 63, 172, 173; Saldern 1980a: Nos 287–290; Foy 1995: Pl. 8:59 (form 11); Ubaldi 1995: Fig. 4,19, Type III.1; Sternini 1999: No. 58; Foy 2000: Fig. 28,3; Jennings et al. 2006: Fig. 6.20:10, Type 5 (short solid pad-stem lamp)	

<b>Cat. 17</b>	<b>Lamp, stem</b>	[Fig. 4:17]
<i>Site Inv. No.</i> PL 06/2/111	<i>Dimensions:</i> H. pres. 1.5	<i>Dating:</i> 5th century
<i>Provenance:</i> Sector 2, locus II	<i>Material and technique:</i> Color unidentified.	
	<i>Description:</i> Flat base, hollow stem.	
	<i>Parallels:</i> See Nenna 2001: Fig. 15; Nenna et al. 2003: Fig. 20	
<b>Cat. 18</b>	<b>Lamp, stem</b>	[Fig. 4:18]
<i>Site Inv. No.</i> PL 06/2/384	<i>Dimensions:</i> H. pres. 6.5	<i>Dating:</i> 5th–6th centuries
<i>Provenance:</i> Sector 2, locus VII	<i>Material and technique:</i> Light green, bubbly, flaky iridescence.	
	<i>Description:</i> High hollow stem, thick rounded base.	
	<i>Parallels:</i> See Fontaine 1952: Pl. 1,5; Crowfoot 1957: Figs 96,2,6, 98,4; Pirling 1978: Fig. 5 (lower left); Dussart 1998: Pl. 16,7 (late 6th century)	
<b>Cat. 19</b>	<b>Lamp, stem</b>	[Fig. 4:19]
<i>Site Inv. No.</i> PL 05/393	<i>Dimensions:</i> H. pres. 5	<i>Dating:</i> 5th–6th centuries
<i>Provenance:</i> Sector 1, area 1, no context	<i>Material and technique:</i> Light green, dulled.	
	<i>Description:</i> Hollow thick stem, flaring bowl, pontil mark.	
	<i>Parallels:</i> See Kawatoko 1996: Pl. 37:3; Katsnelson 1999: Fig. 5,5; Mossakowska-Gaubert 2000: No. 7, Fig. 3	
<b>Cat. 20</b>	<b>Lamp, stem</b>	[Fig. 4:20]
<i>Site Inv. No.</i> PL 06/2/427	<i>Dimensions:</i> H. pres. 4.4	<i>Dating:</i> 5th century or later
<i>Provenance:</i> Sector 2, locus VIII	<i>Material and technique:</i> Greenish blue.	
	<i>Description:</i> Hollow stem with thick, pointed base.	
	<i>Parallels:</i> See Crowfoot-Harden 1931: Pl. XXIX,24; Meyer 1992: No. 479; Foy 2000: Fig. 8,5	
<b>Cat. 21</b>	<b>Lamp, stem</b>	[Fig. 4:21]
<i>Site Inv. No.</i> PL 05/226	<i>Dimensions:</i> H. pres. 4	<i>Dating:</i> 5th century
<i>Provenance:</i> Sector 2, area 1, no context	<i>Material and technique:</i> Olive-green, white flaky patina.	
	<i>Description:</i> Hollow thick stem, pontil mark.	
	<i>Parallels:</i> See Dussart 1998: Pl. 16,5	

<b>Cat. 22</b>	<b>Lamp, stem</b>	[Fig. 5:22]
<i>Site Inv. No.</i> PL 05/341	<i>Dimensions:</i> H. pres. 2.2	<i>Dating:</i> 5th century or later
<i>Provenance:</i> Sector 1, area 1, no context	<i>Material and technique:</i> Green, white iridescence.	
	<i>Description:</i> Beaded hollow stem (three beads preserved).	
	<i>Parallels:</i> See Riis 1957: Fig. 129; Foy 2000: Fig. 8:25; Gill 2002: Fig. 1/5, Nos 56–62; Sternini 2004: Pl. IV, No. 46	
<b>Cat. 23</b>	<b>Lamp, stem</b>	[Fig. 5:23]
<i>Site Inv. No.</i> PL 06/2/225	<i>Dimensions:</i> H. pres. 4	<i>Dating:</i> 4th–5th centuries
<i>Provenance:</i> Sector 2, locus IV	<i>Material and technique:</i> Green, heavy iridescence.	
	<i>Description:</i> Hollow rounded stem with a pontil wad attached.	
	<i>Parallels:</i> See Crowfoot-Harden 1931: Pl. XXIX,25; Jennings et al. 2006: Figs 6.10:1, 6.11 (Type 1a)	
<b>Cat. 24</b>	<b>Lamp, stem</b>	[Fig. 5:24]
<i>Site Inv. No.</i> PL 06/02/298	<i>Dimensions:</i> H. pres. 3	<i>Dating:</i> 4th–5th centuries
<i>Provenance:</i> Sector 2, locus IV	<i>Material and technique:</i> Color unidentified under heavy white patina.	
	<i>Description:</i> Lower fragment of a hollow stem, thick rounded base.	
	<i>Parallels:</i> See Crowfoot 1957: Fig. 99,5; Isings 1965: Fig. 436; Ubaldi 1995: Fig. 5,30 (Type IV.2); Jennings et al. 2006: Fig. 6.10:3, Type 1a (conical lamp, 4th–5th centuries)	
<b>Cat. 25</b>	<b>Lamp, stem</b>	[Fig. 5:25]
<i>Site Inv. No.</i> PL 05/438	<i>Dimensions:</i> H. pres. 6.3	<i>Dating:</i> 5th–6th centuries
<i>Provenance:</i> Sector 2, area 1, surface	<i>Material and technique:</i> Light green, creamy white iridescence, pontil mark.	
	<i>Description:</i> Four constrictions on a solid cylindrical stem, fragment of flaring bowl.	
	<i>Parallels:</i> See Baur 1938: Type A (goblet-shaped lamp with beaded stem); Chavane 1975: Pl. 63,170; Gawlikowski and Musa 1986 (glass consultant K. Gawlikowska): Pl. VIIB; Foy 1996: Fig. 2:40–41; Cohen 1997: II 21; Foy 2000: Figs 6:12, 7:19–20; Jennings et al. 2006: Fig. 6.21, Type 4c	

Cat. 26 Lamp, long stem [Fig. 5:26]

Site Inv. No.  
PL 06/2/80

Dimensions: H. pres. 6.3

Dating: 5th century

Provenance:  
Sector 2,  
locus II

Material and technique: Color unidentified under brown crust.

Description: High, hollow cylindrical stem, flat base.

Parallels: See Pirling 1978: Fig. 5 (upper left); Cohen 1997: Pl. II 16; Dussart 1998: Pl. 16,8 (with exhaustive parallels on page 87); Foy 2000: Fig. 8,17; Jennings et al. 2006: Fig. 6.16:2, Type 4a, Fig. 11.17:5; Jones 2006: No. 107

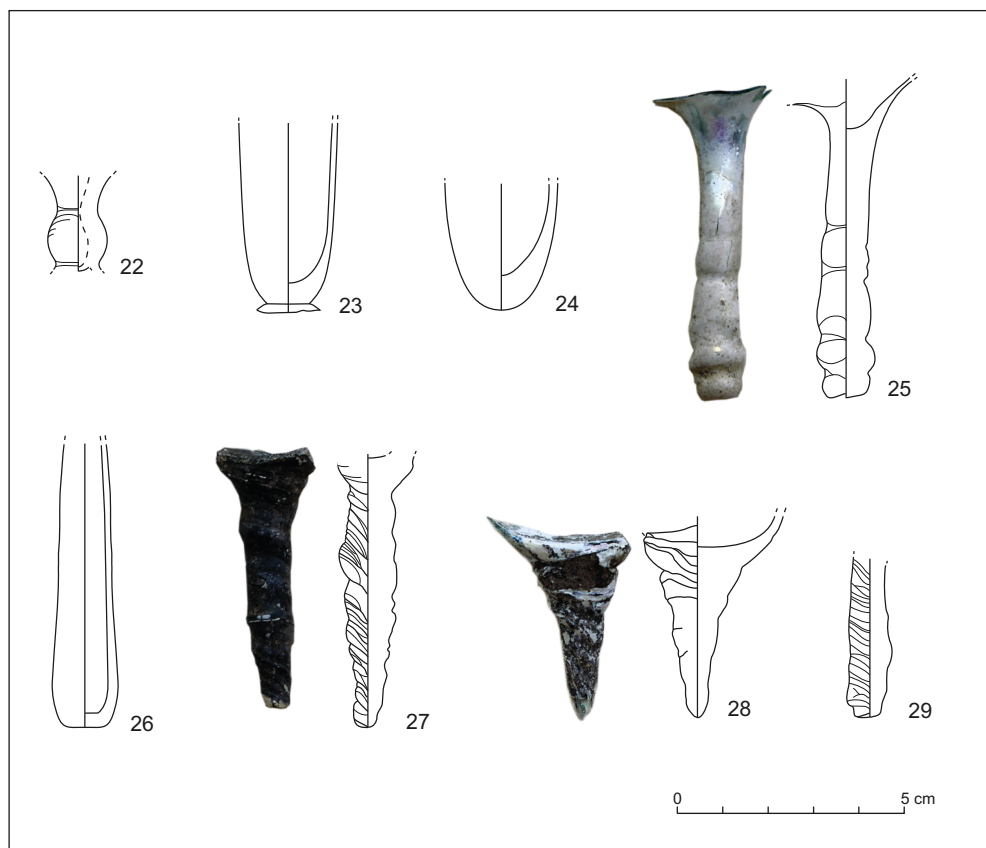


Fig. 5. Lamp stems and bases

<b>Cat. 27</b>	<b>Lamp, stem</b>	[Fig. 5:27]
<i>Site Inv. No.</i> PL 06/2/335	<i>Dimensions:</i> H. pres. 5.7	<i>Dating:</i> 6th–7th centuries
<i>Provenance:</i> Sector 2, locus IV	<i>Material and technique:</i> Green, metallic patina.	
	<i>Description:</i> Solid twisted stem, tapering to a pointed base.	
	<i>Parallels:</i> For twisted lamp stems, see Crowfoot and Harden 1931: Pl. XXIX 28; Fontaine 1952: Pl. 5,27; Gawlikowski and Musa 1986 (glass consultant K. Gawlikowska): Pl. VIIB, first from left in the lower row; Hadad 1998: Fig. 2:26; Fünfschilling 1999: No. 464A; Foy 2000: Figs 4:6, 6:18; Goldstein and Lindgren 2005: Nos. 34–36; Antonaras 2008: Pl. 5.5i For twisted goblet stems, see Young 1993: Fig. 3; Foy 1995: Pl. 17,209–211, 219–224; Jennings et al. 2006: Fig. 6.3:21. Only one twisted lamp stem found among many goblet stems at the site of Kom el-Dikka, Alexandria, Egypt (R. Kucharczyk, personal communication)	
<b>Cat. 28</b>	<b>Lamp, stem</b>	[Fig. 5:28]
<i>Site Inv. No.</i> PL 05/435	<i>Dimensions:</i> H. pres. 4.6	<i>Dating:</i> 6th–7th centuries
<i>Provenance:</i> Sector 1, area 1, no context	<i>Material and technique:</i> Light bluish green, white and brown iridescence.	
	<i>Description:</i> Stem with applied twisted thread, flaring bowl.	
	<i>Parallels:</i> See Gorin-Rosen 2000: Fig. 2:8 (mould-blown, ribbed decoration)	
<b>Cat. 29</b>	<b>Lamp, stem</b>	[Fig. 5:29]
<i>Site Inv. No.</i> PL 06/2/13	<i>Dimensions:</i> H. pres. 3.9	<i>Dating:</i> 6th–7th centuries
<i>Provenance:</i> Sector 2, area B	<i>Material and technique:</i> Color unidentified under dark patina.	
	<i>Description:</i> Solid twisted stem.	
	<i>Comment:</i> Similar to Cat. 27 and an unillustrated fragment P. 04/334	
<b>Cat. 30</b>	<b>Lamp, stem</b>	[Fig. 6:30]
<i>Site Inv. No.</i> PL 06/2/181	<i>Dimensions:</i> H. pres. 6.2	<i>Dating:</i> 4th–5th centuries
<i>Provenance:</i> Sector 2, locus I	<i>Material and technique:</i> Blue, bubbly, grey patina.	
	<i>Description:</i> Hollow stem with thick, rounded base with a pontil wad attached, flaring body.	
	<i>Parallels:</i> See Harden 1936: Nos 436, 449–454, Pl. XVI (conical beakers, solid pointed base); Baur 1938: Type E (vase-shaped lamp); Isings 1957: Form 106 d	

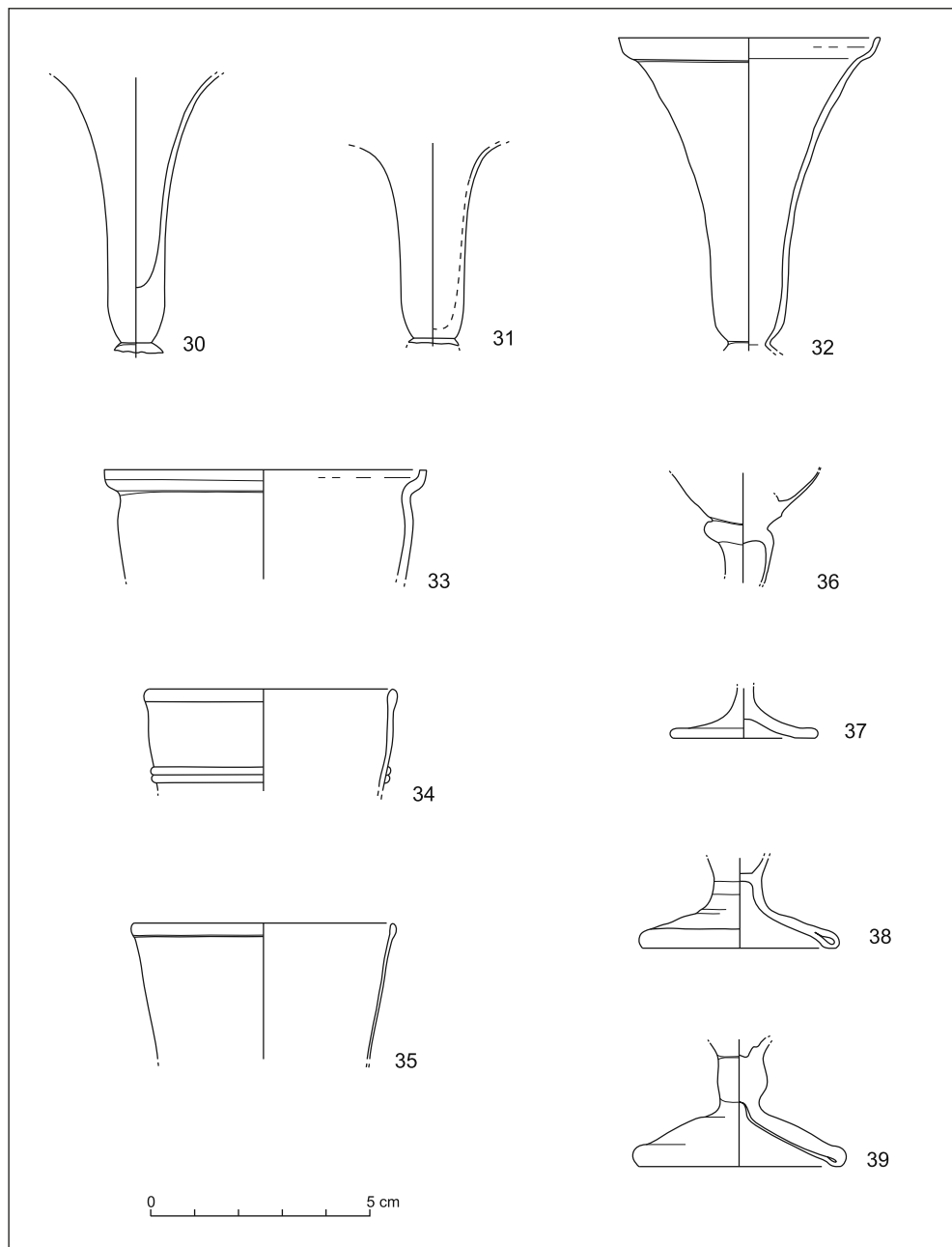


Fig. 6. Lamps (30–32); goblets (33–39)



<b>Cat. 31</b>	<b>Lamp, stem</b>	[Fig. 6:31]
<i>Site Inv. No.</i> PL 06/2/323	<i>Dimensions:</i> H. pres. 4.4; Dia. base 1	<i>Dating:</i> 4th–5th centuries
<i>Provenance:</i> Sector 2, locus IV	<i>Material and technique:</i> Light green, flaky crust.	
	<i>Description:</i> Hollow stem, flaring to the partly preserved bowl. Rounded base with wad attached.	
	<i>Parallels:</i> See Baur 1938: Type E, Fig. 18,12; Kehrberg 1986: Fig. 9,63; Meyer 1987: Fig. 10,I	
<b>Cat. 32</b>	<b>Lamp</b>	[Fig. 6:32]
<i>Site Inv. No.</i> PL 06/2/79	<i>Dimensions:</i> H. pres. 6.8; Dia. rim 5.8, base 1	<i>Dating:</i> late 4th–early 5th centuries
<i>Provenance:</i> Sector 2, locus II	<i>Material and technique:</i> Color unidentified under brown crust.	
	<i>Description:</i> Flaring conical bowl, cracked-off rim, rounded base, constricted at junction with fragmentary preserved hollow bulb.	
	<i>Parallels:</i> See Baur 1938: Type E (vase-shaped lamp with rounded bottom); Isings 1957: Form 106d; Jennings et al. 2006: 138–140, Type 3 bulbous-stem lamps, Fig. 6.12:1–4, 6	
<b>Cat. 33</b>	<b>Goblet or cup, rim and body wall</b>	[Fig. 6:33]
<i>Site Inv. No.</i> PL 05/163	<i>Dimensions:</i> Dia. rim 7.3; Th. 0.3	<i>Dating:</i> 3rd–4th centuries
<i>Provenance:</i> Sector 1, area 1, context 13	<i>Material and technique:</i> Olive-green, flaky, brown crust.	
	<i>Description:</i> Flaring, wheel-polished cracked-off rim, thick, vertical walls, slightly tapering to the bottom.	
	<i>Parallels:</i> See Isings 1957: Form 96; Weinberg and Goldstein 1988: Nos 477, 479; Meyer 1992: Nos 131–140; Brun 2003: Nos 25, 27; Jennings et al. 2006: Fig. 5.3:1,7; Kucharczyk 2007a: Fig. 2:1	
<b>Cat. 34</b>	<b>Goblet, rim and body wall, or Flask, neck</b>	[Fig. 6:34]
<i>Site Inv. No.</i> PL 05/178	<i>Dimensions:</i> H. pres. 2.3 cm; Dia. rim 5.6	<i>Dating:</i> 4th century
<i>Provenance:</i> Sector 1, area 1, no context	<i>Material and technique:</i> Dull white, silver iridescence.	
	<i>Description:</i> Rounded, thickened rim, straight wall with two broad threads around the vessel at 1.8 cm below the rim.	
	<i>Parallels:</i> See Erdmann 1977: No. 562; Dussart 1997: Pl. 25:17; Mossakowska-Gaubert 2000: Fig. 4:22	

<b>Cat. 35</b>	<b>Goblet, rim and body wall</b>	[Fig. 6:35]
<i>Site Inv. No.</i> PL 05/396	<i>Dimensions:</i> Dia. rim 6	<i>Dating:</i> 6th–7th centuries
<i>Provenance:</i> Sector 1, area 1, no context	<i>Material and technique:</i> Light blue, slightly iridescent.	
	<i>Description:</i> Rounded rim, conical body, walls tapering toward the bottom.	
	<i>Parallels:</i> See Mossakowska-Gaubert 2000: Nos 28, 29, Fig. 4	
<b>Cat. 36</b>	<b>Goblet, stem and body wall</b>	[Fig. 6:36]
<i>Site Inv. No.</i> PL 06/2/408	<i>Dimensions:</i> H. pres. 2.8	<i>Dating:</i> 5th–6th centuries
<i>Provenance:</i> Sector 2, locus VIII	<i>Material and technique:</i> Blue green, iridescent.	
	<i>Description:</i> Part of a hollow stem and the lower part of a bowl.	
	<i>Parallels:</i> See Saldern 1980a: 57, No. 323, 62, No. 384 (maybe a lamp); Weinberg and Goldstein 1988: No. 201; Jennings et al. 2006: Fig. 11.25:14	
<b>Cat. 37</b>	<b>Goblet, foot, small</b>	[Fig. 6:37]
<i>Site Inv. No.</i> PL 05/190	<i>Dimensions:</i> Dia. 3.2	<i>Dating:</i> 6th–7th centuries
<i>Provenance:</i> Sector 1, area 1, no context	<i>Material and technique:</i> Blue, white flaky weathering.	
	<i>Description:</i> Plain, slightly pushed-up base, narrow, cylindrical stem.	
	<i>Parallels:</i> See Harden 1936: Nos 479, 482, 484, Pls VI, XVI; Foy 2001: Nos 40–44; Jennings et al. 2006: Type 3	
	<i>Comment:</i> This form of small base is frequent in Egypt and the Levant (e.g., Karanis, Alexandria, Gerasa, Palmyra)	
<b>Cat. 38</b>	<b>Goblet, foot</b>	[Fig. 6:38]
<i>Site Inv. No.</i> PL 06/2/310	<i>Dimensions:</i> Dia. 4.5; H. pres. 2	<i>Dating:</i> 6th century
<i>Provenance:</i> Sector 2, locus IV	<i>Material and technique:</i> Light green, milky iridescence.	
	<i>Description:</i> Folded hollow pushed-in foot, cylindrical stem.	
	<i>Parallels:</i> See Jennings et al. 2006: Type 1b (short-stem folded-base goblets)	

<b>Cat. 39</b>	<b>Goblet, foot and stem</b>	[Fig. 6:39]
<i>Site Inv. No.</i> PL 05/365	<i>Dimensions:</i> Dia. 5	<i>Dating:</i> 6th–7th centuries
<i>Provenance:</i> Sector 1, area 1, context 30	<i>Material and technique:</i> Color unidentified under heavy white patina.	
	<i>Description:</i> Folded pushed-up foot, one-bead stem, flaring bowl.	
	<i>Parallels:</i> See Jennings et al. 2006: Fig. 6.1, 123–134, Type 1a (knobbed-stem goblets, very common late Roman/early Byzantine form)	
<b>Cat. 40</b>	<b>Beaker</b>	[Fig. 7:40]
<i>Site Inv. No.</i> PL 05/428	<i>Dimensions:</i> H. pres. 5.4; Dia. base 2.4	<i>Dating:</i> 4th century
<i>Provenance:</i> Sector 1, area 1, context 36	<i>Material and technique:</i> Color unidentified under yellow and grey crust.	
	<i>Description:</i> Thick flat base, walls slightly flaring towards missing rim.	
	<i>Parallels:</i> See Slim 1971–1972: Nos 31–38, Figs 112–115; Weinberg and Goldstein 1988: Fig. 4-47:454; Sternini 1995: Fig. 13:175	
<b>Cat. 41</b>	<b>Beaker, base</b>	[Fig. 7:41]
<i>Site Inv. No.</i> PL 05/431	<i>Dimensions:</i> Dia. base 4.6	<i>Dating:</i> 6th–7th centuries
<i>Provenance:</i> Sector 1, area 1, context 23	<i>Material and technique:</i> Light green to colorless. White flaky crust.	
	<i>Description:</i> Thick, slightly concave base.	
	<i>Parallels:</i> See Sternini 1995: Fig. 13:169; Jennings et al. 2006: Fig. 8.2:9	
<b>Cat. 42</b>	<b>Beaker, base</b>	[Fig. 7:42]
<i>Site Inv. No.</i> PL 06/2/401	<i>Dimensions:</i> Dia. 3.4; H. pres. 1	<i>Dating:</i> 4th–5th centuries
<i>Provenance:</i> Sector 2, locus VIII	<i>Material and technique:</i> Olive green.	
	<i>Description:</i> Concave base, straight walls.	
	<i>Parallels:</i> See Katsnelson 1999: Fig. 3:17; Jennings et al. 2006: Fig. 8.1:3	
<b>Cat. 43</b>	<b>Beaker, three fragments</b>	[Fig. 7:43]
<i>Site Inv. No.</i> PL 05/407	<i>Dimensions:</i> H. pres. 2; Dia. base 2.7	<i>Dating:</i> 4th century
<i>Provenance:</i> Sector 1, area 1, context 26	<i>Material and technique:</i> Light green, brown patina.	
	<i>Description:</i> Flat, thick base, flaring walls.	
	<i>Comment:</i> Similar to Cat. 40.	

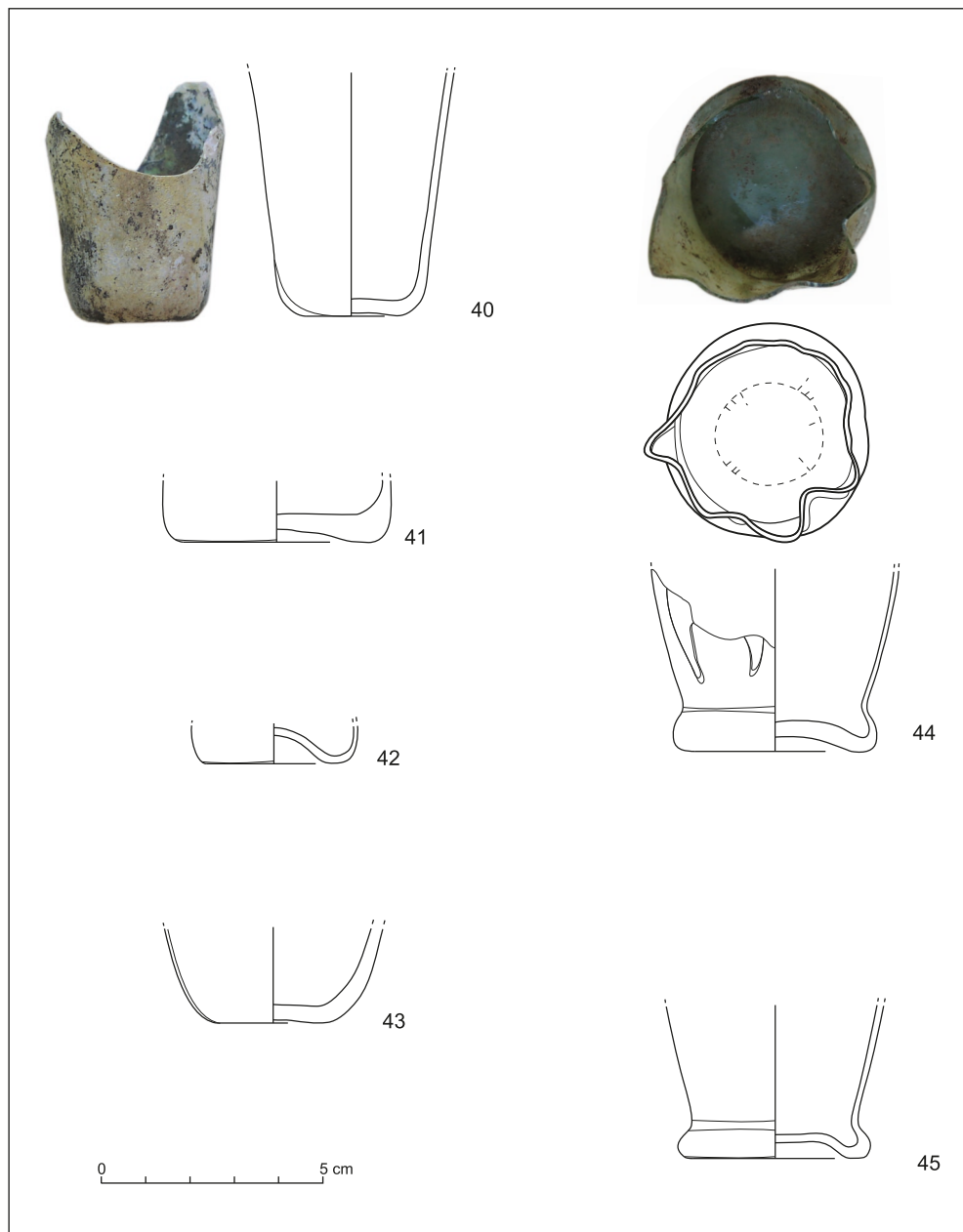


Fig. 7. Beaker bases

<b>Cat. 44</b>	<b>Beaker</b>	[Fig. 7:44]
<i>Site Inv. No.</i> PL 05/326	<i>Dimensions:</i> H. pres. 4.1; Dia. 4.4	<i>Dating:</i> 4th century
<i>Provenance:</i> Sector 1, area 1, context 34	<i>Material and technique:</i> Green, white iridescence. Indented.	
	<i>Description:</i> Slightly concave, cut-out base, three vertical indentations on the preserved side of the body.	
	<i>Parallels:</i> See Harden 1936: No. 396, Pl. XV; Vessberg 1952: Pl. IV:14, Type BIV a (beaker with indented sides); Crowfoot 1957: Fig. 95,21 (4th–5th centuries); Clairmont 1963: Pl. X:443 (late 2nd–early 3rd centuries); Saldern 1980b: No. 103; Tatton-Brown 1984: Fig. 67, No. 85 (flask)	
<b>Cat. 45</b>	<b>Beaker</b>	[Fig. 7:45]
<i>Site Inv. No.</i> PL 05/133	<i>Dimensions:</i> H. pres. 3.4; Dia. base 4.25	<i>Dating:</i> 4th–5th centuries
<i>Provenance:</i> Sector 1, area 1, context 19	<i>Material and technique:</i> Color unidentified under flaky, milky weathering.	
	<i>Description:</i> Concave, cut-out base, flaring walls.	
	<i>Parallels:</i> See Meyer 1992: No. 282; Foy 1995: Pl. 9, Nos 81–82; Cohen 1997: Pl. III 21	
<b>Cat. 46</b>	<b>Bowl, base and body wall</b>	[Fig. 8:46]
<i>Site Inv. No.</i> PL 06/2/124–125	<i>Dimensions:</i> Dia. base 3	<i>Dating:</i> 4th century
<i>Provenance:</i> Sector 2, locus IV	<i>Material and technique:</i> Light grayish green, translucent.	
	<i>Description:</i> Flat, applied base with hollow ring; middle part of the body flaring toward the missing rim with one thick thread around (not drawn).	
	<i>Parallels:</i> See Cohen 1997: Pl. III 23; Bailey 1998: Pl. 93, Y70-73; Dussart 2007: Fig. 3:6a	
<b>Cat. 47</b>	<b>Coil base</b>	[Fig. 8:47]
<i>Site Inv. No.</i> PL 05/328	<i>Dimensions:</i> Dia. 3	<i>Dating:</i> 4th century
<i>Provenance:</i> Surface	<i>Material and technique:</i> Olive-green to dark green.	
	<i>Description:</i> One-coil base-ring, flaring sides.	
	<i>Parallels:</i> See Tatton-Brown 1984: Fig. 68, No. 100 (4th century); Jennings et al. 2006: Fig. 4.14:1 (2nd century)	

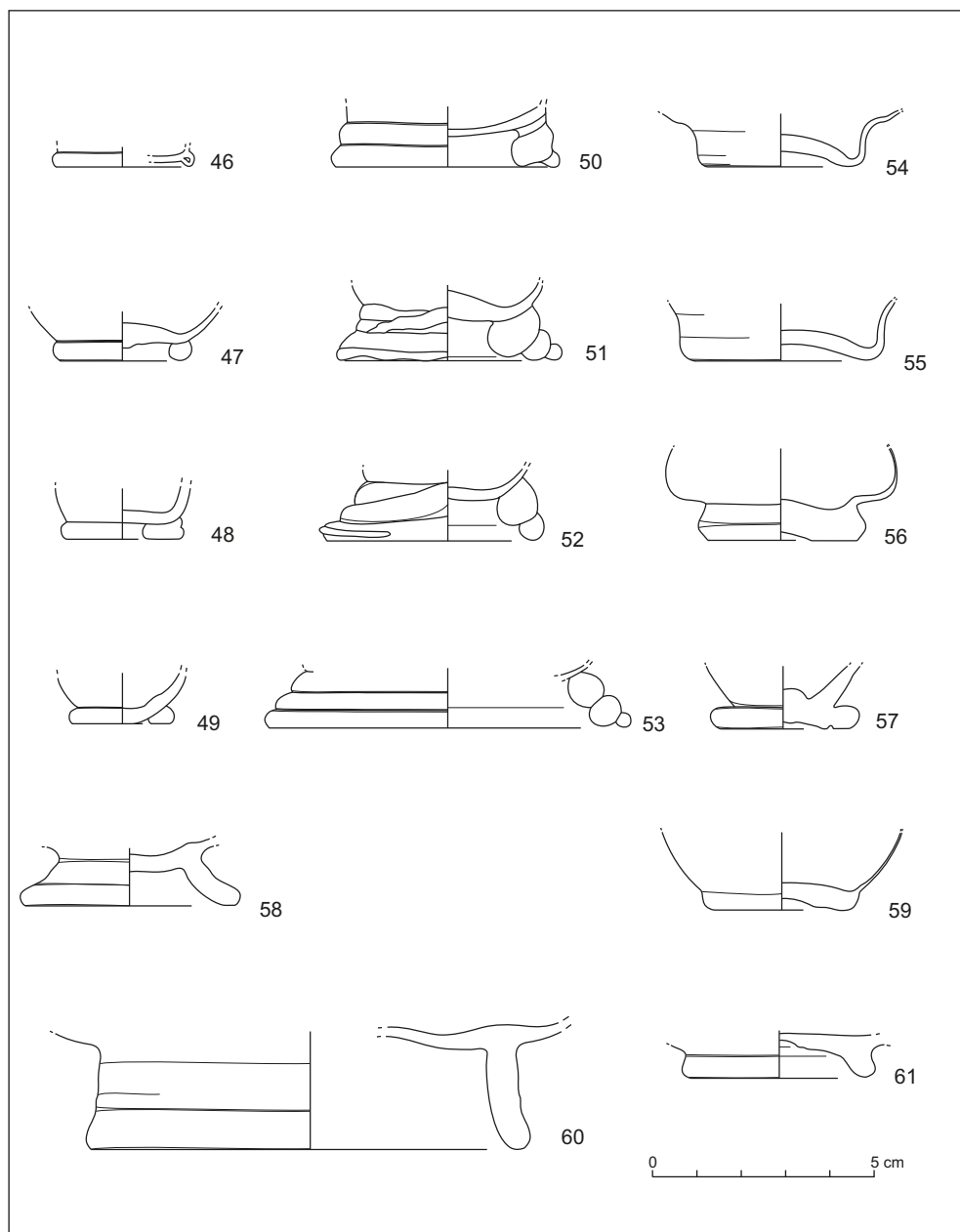


Fig. 8. Bases: one-coil bases (46–49), spiral-wound bases (50–53), pad bases (56, 59), cut-out bases (54–55), base rings (58, 61), disc base (57) and pedestal base (60)

<b>Cat. 48</b>	<b>Coil base</b>	[Fig. 8:48]
<i>Site Inv. No.</i> PL 05/198	<i>Dimensions:</i> Dia. 2.8	<i>Dating:</i> early 5th century
<i>Provenance:</i> Sector 1, area 1, no context	<i>Material and technique:</i> Brown crust, corroded.	
	<i>Description:</i> Plain coil base-ring.	
	<i>Comments:</i> PL 06/3/16 and PL 06/2/398 (not illustrated) are similar.	
<b>Cat. 49</b>	<b>Coil base, small</b>	[Fig. 8:49]
<i>Site Inv. No.</i> PL 05/419	<i>Dimensions:</i> Dia. 2.4	<i>Dating:</i> early 5th century
<i>Provenance:</i> Sector 1, area 1, context 26	<i>Material and technique:</i> Olive-green, white and brown crust.	
	<i>Description:</i> Regular base-ring, flaring walls.	
	<i>Parallels:</i> See Jennings et al. 2006: Fig. 8.4:3	
<b>Cat. 50</b>	<b>Coil-wound base</b>	[Fig. 8:50]
<i>Site Inv. No.</i> P. 04/342	<i>Dimensions:</i> Dia. 5	<i>Dating:</i> 4th century
<i>Provenance:</i> Surface	<i>Material and technique:</i> Light green, enamel-like patina.	
	<i>Description:</i> Flat base formed by three coils, floor sloping down.	
	<i>Parallels:</i> See Fontaine 1952: Pl. 3,16–17	
<b>Cat. 51</b>	<b>Coil-wound base</b>	[Fig. 8:51]
<i>Site Inv. No.</i> PL 05/205	<i>Dimensions:</i> Dia. 5	<i>Dating:</i> 4th century or later
<i>Provenance:</i> Sector 1, area 1, no context	<i>Material and technique:</i> Brown crust.	
	<i>Description:</i> Pushed-up base, wound four times. Pushed-up floor.	
	<i>Parallels:</i> See Harden 1936: Nos 658, 666; Isings 1965: No. 197, Fig. 447, No. 63, Fig. 457; Saldern 1980a: No. 196; Tatton-Brown 1984: Fig. 68, 103–105 (double coil base of a flask or jug, 4th century or later; 105 triple coil); Weinberg and Goldstein 1988: Nos 152–156; Foy 1995: Pl. 7:41–44; Sternini 1995: Fig. 15,188–193; Dussart 1997: Pl. 29:2–2ab; Jennings 1997–1998: Fig. 24,12; Katsnelson 1999: Fig. 2, Nos 3–4; Sternini 2001: Fig. 20, Nos 214–219; Kucharczyk 2001: 65; Nenna 2001: Fig. 13; Jennings et al. 2006: Fig. 8.4:8–10; Gorin-Rosen and Katsnelson 2007: Fig. 7:3–7; Kucharczyk 2007a: Fig. 3,13	

<b>Cat. 52</b>	<b>Coil-wound base</b>	[Fig. 8:52]
<i>Site Inv. No.</i> PL 05/220	<i>Dimensions:</i> Dia. 5.1	<i>Dating:</i> 4th century
<i>Provenance:</i> Sector 1, area 1, context 27	<i>Material and technique:</i> Brown crust, heavy corrosion.	
	<i>Description:</i> Flat base wound three times, sunken floor.	
	<i>Comments:</i> Similar to Cat. 50 and PL 05/301 (not illustrated).	
<b>Cat. 53</b>	<b>Coil-wound base, large</b>	[Fig. 8:53]
<i>Site Inv. No.</i> PL 06/2/309	<i>Dimensions:</i> H. pres. 1.6; Dia. 8	<i>Dating:</i> 4th century
<i>Provenance:</i> Sector 2, locus IV	<i>Material and technique:</i> Dark blue.	
	<i>Description:</i> Coil base wound three times.	
	<i>Parallels:</i> See Weinberg and Goldstein 1988: Fig. 4-21:155	
<b>Cat. 54</b>	<b>Beaker, base</b>	[Fig. 8:54]
<i>Site Inv. No.</i> PL 05/355	<i>Dimensions:</i> Dia. 3.8	<i>Dating:</i> 4th century
<i>Provenance:</i> Sector 1, area 1, context 33	<i>Material and technique:</i> Color unidentified, enamel-like patina.	
	<i>Description:</i> Slightly concave pad-like cut-out base.	
	<i>Parallels:</i> See Hayes 1975: Nos 374–377; Weinberg and Goldstein 1988: Nos 169–179; Dussart 1998: Pl. 21; Whitehouse 2001: Nos 662, 664, 665; Arveiller-Dulong and Nenna 2005: No. 989; Atallah and Gawlikowska 2007: Nos 106–108	
	<i>Comments:</i> Bases Cat. 54 to Cat. 56, and Cat. 61, made separately or in one piece, are typical of the 4th-century cylindrical beakers produced in the Eastern provinces.	
<b>Cat. 55</b>	<b>Beaker, base (2 fragments)</b>	[Fig. 8:55]
<i>Site Inv. No.</i> PL 05/333	<i>Dimensions:</i> Dia. 3.8	<i>Dating:</i> 4th century
<i>Provenance:</i> Sector 1, area 1, context 23	<i>Material and technique:</i> Light green, silver patina.	
	<i>Description:</i> Slightly concave cut-out base, flaring walls.	
	<i>Comments:</i> See Cat. 54.	



<b>Cat. 56</b>	<b>Beaker, base</b>	[Fig. 8:56]
<i>Site Inv. No.</i> PL 06/2/312	<i>Dimensions:</i> Dia. 3.3; H. pres. 2.2	<i>Dating:</i> 4th–5th centuries
<i>Provenance:</i> Sector 2, locus IV	<i>Material and technique:</i> Dark green.	
	<i>Description:</i> Thick pad base slightly pushed in, incurved walls.	
	<i>Parallels:</i> See Harden 1936: No. 362, Pl. XV; Crowfoot 1957: Figs 94,14, 95,20; Hayes 1975: Nos 375, 377; Kehrberg 1986: Fig. 9:20–21; Meyer 1987: Fig. 7,A; Weinberg and Goldstein 1988: Fig. 4-23 (4th century); Erdmann 1977: Pl. 1, Nos 13–15 (4th century); Dussart 1998: Pl. 21:18, 23 (5th–6th centuries); Jennings et al. 2006: Fig. 8.2:1	
	<i>Comments:</i> See Cat. 59.	
<b>Cat. 57</b>	<b>Beaker, base</b>	[Fig. 8:57]
<i>Site Inv. No.</i> PL 06/2/168	<i>Dimensions:</i> Dia. base 3.3; H. pres. 1.5	<i>Dating:</i> 4th–5th centuries
<i>Provenance:</i> Sector 2, locus IV	<i>Material and technique:</i> Light blue, white heavy iridescence.	
	<i>Description:</i> Thick solid disk base, floor bulged in the middle, flaring sides.	
	<i>Parallels:</i> Similar forms are dated to the 1st–early 2nd centuries (Hayes 1975: Nos 133–134, 136; Saldern 1980a: Pl. 21,107; Hayes 1986: Fig. 119 A10; Lightfoot and Arslan 1992: No. 25; Arveiller-Dulong and Nenna 2005: Nos 21, 25), but see late Roman parallels: Hayes 1975: No. 375; Erdmann 1977: Pl. 1, No. 16; Meyer 1987: Fig. 7C; Jennings et al. 2006: Fig. 11.4:18; Gorin-Rosen and Katsnelson 2007: Fig. 8:5; Kucharczyk 2011: 66–67, Fig. 9 with references. The ceramic context of locus IV points to a late dating, but it is not excluded that this fragment is a residuum of early Roman times.	
<b>Cat. 58</b>	<b>Beaker or bowl, base ring</b>	[Fig. 8:58]
<i>Site Inv. No.</i> PL 05/423	<i>Dimensions:</i> Dia. base 5	<i>Dating:</i> 3rd–4th centuries
<i>Provenance:</i> Sector 1, area 1, context 26	<i>Material and technique:</i> Light green, heavy yellow crust.	
	<i>Description:</i> Applied high plain base-ring with a flat floor.	
	<i>Parallels:</i> See Clairmont 1963: Pl. IX:384, 390; Saldern 1980a: Pl. 22,188 (bowl with pronounced base-ring); Weinberg and Goldstein 1988: Fig. 4-20, No. 145 (2nd century); Dussart 1998: Pl. 7: 16–17 (3rd–4th centuries)	
<b>Cat. 59</b>	<b>Pad base</b>	[Fig. 8:59]
<i>Site Inv. No.</i> PL 05/362	<i>Dimensions:</i> H. pres. 1.8; Dia. 3.8	<i>Dating:</i> 4th century
<i>Provenance:</i> Sector 1, area 1, no context	<i>Material and technique:</i> Light green to colorless, white iridescence. Pontil mark.	
	<i>Description:</i> Slightly concave cut-out pad base, flaring walls.	
	<i>Parallels:</i> Jennings et al. 2006: Fig. 3.4:22 (1st century)	
	<i>Comments:</i> See Cat. 56.	

<b>Cat. 60</b>	<b>Plate or large dish, base ring</b>	[Fig. 8:60]
<i>Site Inv. No.</i> PL 05/366	<i>Dimensions:</i> H. pres. 2.8; Dia. 18	<i>Dating:</i> 4th century
<i>Provenance:</i> Sector 1, area 1, context 14	<i>Material and technique:</i> Olive-green, brown crust, rainbow iridescence.	
	<i>Description:</i> Applied plain pedestal base, slightly concave floor.	
	<i>Parallels:</i> See Harden 1936: Nos 83, 130, Pl. XII; Saldern 1980a: Pl. 25, No. 463 (5th–6th centuries); Bailey 1998: Y33; Mossakowska-Gaubert 2004: Fig. 5 (base only); Jennings et al. 2006: Fig. 8.5:15 and pages 191–193; Kucharczyk 2008: Fig. 46:26; Kucharczyk 2010b: Fig. 8:11	
<b>Cat. 61</b>	<b>Base, on solid ring</b>	[Fig. 8:61]
<i>Site Inv. No.</i> PL 06/2/286	<i>Dimensions:</i> Dia. 4	<i>Dating:</i> 4th–5th centuries
<i>Provenance:</i> Sector 2, locus IV	<i>Material and technique:</i> Color unidentified, corroded.	
	<i>Description:</i> Plain, slightly concave base ring.	
	<i>Parallels:</i> Jennings et al. 2006: Fig. 8.2:4	
	<i>Comments:</i> See Cat. 56.	
<b>Cat. 62</b>	<b>Base, with toes</b>	[Fig. 9:62]
<i>Site Inv. No.</i> PL 06/2/386	<i>Dimensions:</i> Dia. base 4	<i>Dating:</i> 3rd–4th centuries
<i>Provenance:</i> Sector 2, locus VII	<i>Material and technique:</i> Green.	
	<i>Description:</i> Slightly pushed up base, pincer irregular small points around the edge.	
	<i>Parallels:</i> See Harden 1936: Nos 678–685, Pls XVII, XIX; Fontaine 1952: Pl. 1,4; Vessberg 1952: Pl. IV:12; Clairmont 1963: 50–51, Nos 204, 207, 208, 211; Isings 1965: Fig. 463 (base with pinched toes), Nos 53/X/242, 105; Weinberg and Goldstein 1988: Fig. 4-22:161; Whitehouse 2003: Nos 1113–1117; Rodziewicz 2005: Pl. 8,174 (pointed foot-ring); Arveiller-Dulong and Nenna 2005: No. 1211; Jennings et al. 2006: Fig. 8.8:3; Gorin-Rosen and Katsnelson 2007: Fig. 15:3; Kucharczyk 2010a: Fig. 1: 14–16; Kucharczyk 2010b: Fig. 1:8–10, Fig. 2:4	
<b>Cat. 63</b>	<b>Bowl, base with toes</b>	[Fig. 9:63]
<i>Site Inv. No.</i> PL 06/2/151	<i>Dimensions:</i> Dia. base 7	<i>Dating:</i> 3rd–4th centuries
<i>Provenance:</i> Sector 2, locus II	<i>Material and technique:</i> Green(?) under brown patina. Pinched.	
	<i>Description:</i> Base-ring decorated with pinched toes with a tiny cavity (four preserved).	
	<i>Parallels:</i> See Israeli 2008: No. 101; Kucharczyk 2010b: Fig. 1:8-10, Fig. 2:4	

<b>Cat. 64</b>	<b>Beaker or bottle, base</b>	[Fig. 9:64]
<i>Site Inv. No.</i> PL 06/2/343	<i>Dimensions:</i> Dia. base 6.3	<i>Dating:</i> 4th century
<i>Provenance:</i> Sector 2, locus IV	<i>Material and technique:</i> Bluish green.	
	<i>Description:</i> Pushed-in base, straight wall.	
	<i>Parallels:</i> See Weinberg and Goldstein 1988: Fig. 4-29:230; Shindo 1992: Fig. 6-10:6; Sternini 1995: Fig. 14:177; Cohen 1997: Pl. III 12; Gorin-Rosen and Katsnelson 2007: Fig. 8:11–15	
<b>Cat. 65</b>	<b>Bottle, neck</b>	[Fig. 10:65]
<i>Site Inv. No.</i> PL 05/153	<i>Dimensions:</i> Dia. 4.8	<i>Dating:</i> 3rd–4th century
<i>Provenance:</i> Sector 1, area 1, context 13	<i>Material and technique:</i> Color unidentified under brown patina.	
	<i>Description:</i> Rounded, thickened, flaring rim, funnel-shaped neck.	
	<i>Parallels:</i> See Dussart 1997: Pl. 27:4; Dussart 1998: Pl. 56,35; Katsnelson 1999: Fig. 3:5; Brun 2003: Fig. 243,70; Dussart 2003: Fig. 5,5–5b; Dussart 2007: Fig. 10:14	
<b>Cat. 66</b>	<b>Bottle, neck</b>	[Fig. 10:66]
<i>Site Inv. No.</i> PL 06/2/311	<i>Dimensions:</i> Dia. 4	<i>Dating:</i> 4th–5th centuries
<i>Provenance:</i> Sector 2, locus IV	<i>Material and technique:</i> Color unidentified, brown crust.	
	<i>Description:</i> Flaring neck with folded out and flattened rim, one thick thread around.	
	<i>Parallels:</i> See Sternini 1995: Fig. 11:119; Foy 2001: No. 13	

Fig. 9. Bases with toes (62, 63) and a pushed-in base (64)

<b>Cat. 67</b>	<b>Flask, neck</b>	[Fig. 10:67]
<i>Site Inv. No.</i> PL 06/2/429	<i>Dimensions:</i> H. pres. 1.8; Dia. at rim 6	<i>Dating:</i> 3rd century (pottery dating of context)
<i>Provenance:</i> Sector 2, locus VIII	<i>Material and technique:</i> White patina.	
	<i>Description:</i> Flaring neck with rounded rim, one thread around.	
	<i>Parallels:</i> See Weinberg and Goldstein 1988: Fig. 4-31:265	
<b>Cat. 68</b>	<b>Bottle, neck</b>	[Fig. 10:68]
<i>Site Inv. No.</i> PL 05/187	<i>Dimensions:</i> H. pres. 2.2; Dia. 3.4	<i>Dating:</i> 4th century
<i>Provenance:</i> Sector 1, area 1, context 10	<i>Material and technique:</i> Color unidentified under brown crust.	
	<i>Description:</i> Flaring neck, folded inside rim.	
	<i>Parallels:</i> See Sternini 1995: Fig. 11:136; Dussart 1998: Pl. 44,27	
<b>Cat. 69</b>	<b>Flask, neck</b>	[Fig. 10:69]
<i>Site Inv. No.</i> PL 05/394	<i>Dimensions:</i> H. pres. 3.4; Dia. 4	<i>Dating:</i> 4th century
<i>Provenance:</i> Sector 1, area 1, no context	<i>Material and technique:</i> Light blue, transparent, white flaky iridescence.	
	<i>Description:</i> Cylindrical neck, rounded rim.	
	<i>Parallels:</i> See Rodziewicz 1984: Pl. 74:400; Weinberg and Goldstein 1988: Fig. 4-35:293	
<b>Cat. 70</b>	<b>Bottle, neck</b>	[Fig. 10:70]
<i>Site Inv. No.</i> P. 04/302	<i>Dimensions:</i> Dia. rim 4	<i>Dating:</i> 6th–7th centuries
<i>Provenance:</i> Surface	<i>Material and technique:</i> Light green, pitted, dark patina.	
	<i>Description:</i> Cylindrical neck with an outspread rounded rim.	
	<i>Parallels:</i> See Shindo 1992: No. 7B, page 574	
<b>Cat. 71</b>	<b>Bottle, neck</b>	[Fig. 10:71]
<i>Site Inv. No.</i> PL 06/2/66	<i>Dimensions:</i> Dia. 3.5	<i>Dating:</i> 4th–5th centuries
<i>Provenance:</i> Sector 2, locus II	<i>Material and technique:</i> Dark green, heavily corroded.	
	<i>Description:</i> Flaring neck, one thread beneath the rounded rim.	
	<i>Parallels:</i> See Sternini 1995: Fig. 11:128; Saldern 1980a: Pl. 27, 633; Weinberg and Goldstein 1988: Fig. 4-28:219–220; Dussart 1997: Pl. 28:1,1a; 1998: Pl. 41:19,20; Fünfschilling 1999: No. 298; Jennings et al. 2006: Fig. 5.27:1–7	

<b>Cat. 72</b>	<b>Bottle, neck and shoulder</b>	[Fig. 10:72]
----------------	----------------------------------	--------------

*Site Inv. No.* PL 05/325      *Dimensions:* H. pres. 6.2; Dia. rim 2.3

*Dating:* 3rd–4th centuries

*Provenance:* *Material and technique:* Greyish to colorless, transparent, pitted, slightly iridescent.

Sector 1,  
area 1,  
context 34      *Description:* Cylindrical, tall neck with a rounded flaring rim, constricted at junction with the globular body.

*Parallels:* See Fontaine 1952: Pl. 3,13; Sternini 1995: Fig. 11:130; Dussart 1997: Pl. 27:11; Dussart 2007: Fig. 6:13; Kucharczyk 2008: Fig. 45-11

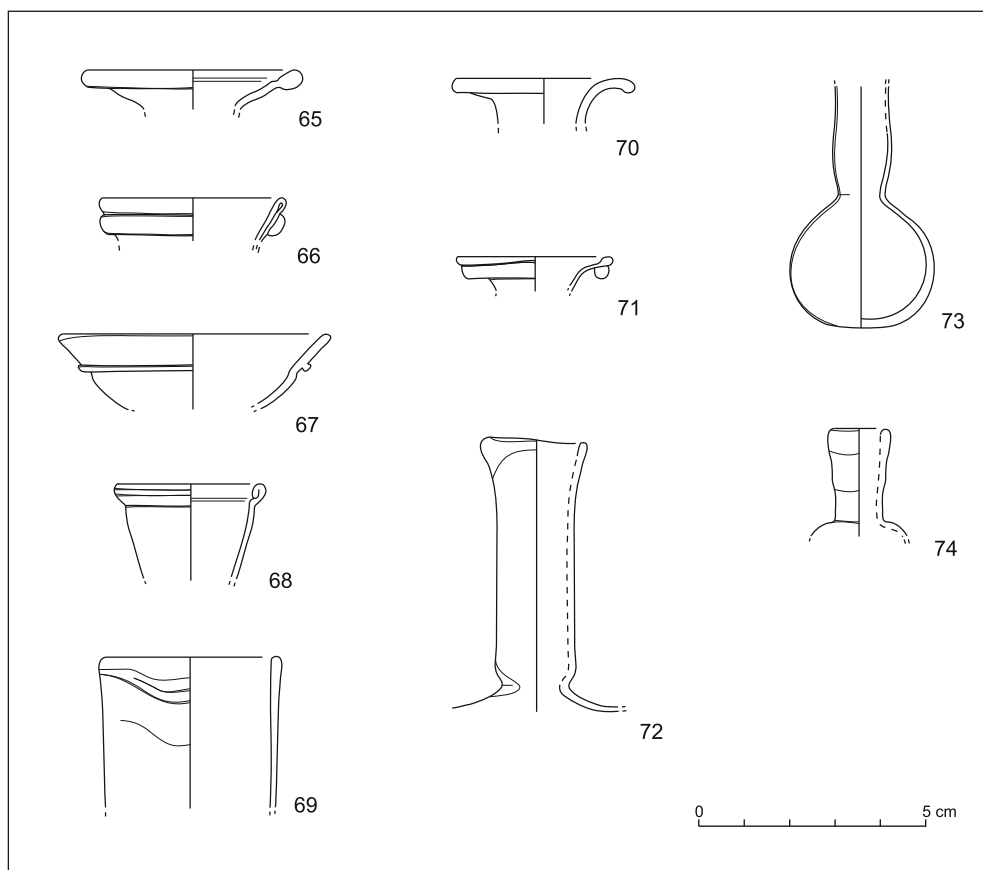


Fig. 10. Bottles and flasks

<b>Cat. 73</b>	<b>Small bottle</b>	[Fig. 10:73]
<i>Site Inv. No.</i> PL 05/439	<i>Dimensions:</i> H. pres. 5.4; Dia. max. 3	<i>Dating:</i> Undetermined
<i>Provenance:</i> Sector 1, area 1, no context	<i>Material and technique:</i> Olive-green, oval small bubbles, yellow iridescence inside, white outside.	
	<i>Description:</i> Spherical body, flat small base, cylindrical neck constricted at junction with body, rim missing.	
	<i>Parallels:</i> See Vessberg 1956: Fig. 48.9; Isings 1957: Form 6 (1st century); Hayes 1975: Nos 217, 571 (1st century); Katsnelson 1999: Fig. 3, Nos 13–14 (5th–6th centuries); Nenna 2001: Figs 3, 4; Nenna et al. 2003: Fig. 13	
<b>Cat. 74</b>	<b>Small bottle, neck and shoulders</b>	[Fig. 10:74]
<i>Site Inv. No.</i> PL 05/338	<i>Dimensions:</i> H. pres. 2.5; Dia. 1.4	<i>Dating:</i> 6th century or later
<i>Provenance:</i> Sector 1, area 1, no context	<i>Material and technique:</i> Light blue, pitted, slightly iridescent. Ribbed.	
	<i>Description:</i> Cylindrical, horizontally ribbed neck, flaring toward the rounded rim.	
	<i>Parallels:</i> See Shindo 1992: 599, Nos 26–31; Bailey 1998: Pl. 93, Y53; Dussart 1998: Pl. 48,10; Foy 2001: No. 148 (Islamic); Dussart 2003: Fig. 5,4–4e; Shindo 2003: Fig. 2:4; Kucharczyk 2005a: Fig. 1:8–11, and page 33 for other examples from Egypt; Dussart 2007: Fig. 10:10, page 216 for examples from Palestine	
<b>Cat. 75</b>	<b>Handle (tumbler lamp)</b>	[Fig. 11:75]
<i>Site Inv. No.</i> PL 05/398	<i>Dimensions:</i> H. 4.3; oval section 0.7	<i>Dating:</i> Undetermined
<i>Provenance:</i> Sector 1, area 1, no context	<i>Material and technique:</i> Olive-green, pitted, slightly iridescent.	
	<i>Description:</i> Handle of a tumbler lamp, attached to a straight wall.	
	<i>Parallels:</i> See Fontaine 1952: Pl. 3,13; Sternini 1995: Fig. 11:130; Dussart 1997: Pl. 27:11; Dussart 2007: Fig. 6:13; Kucharczyk 2008: Fig. 45-11	
	<i>Comment:</i> Strap handles Cat. 75–82 are mostly plain and circular in cross-section; two are ribbed (Cat. 79, Cat. 82). Their dating is highly problematic. See handles from Beirut, Jennings et al. 2006: 195–198.	

<b>Cat. 76</b>	<b>Handles (2) (tumbler lamp)</b>	[Fig. 11:76]
<i>Site Inv. No.</i> PL 06/2/277 PL 06/2/291	<i>Dimensions:</i> H. 4.6	<i>Dating:</i> Undetermined
<i>Provenance:</i> Surface	<i>Material and technique:</i> Heavy white patina.	
	<i>Description:</i> Handles joining rim and mid-height of body wall, bent on top at right angle.	
	<i>Parallels:</i> Erdmann 1977: Pl. 3, No. 182	
	<i>Comment:</i> See Cat. 75	
<b>Cat. 77</b>	<b>Handle (tumbler lamp)</b>	[Fig. 11:77]
<i>Site Inv. No.</i> PL 05/200	<i>Dimensions:</i> H. 5.3; Dia. 0.6	<i>Dating:</i> Undetermined
<i>Provenance:</i> Sector 1, area 1, no context	<i>Material and technique:</i> Flaky yellow weathering.	
	<i>Description:</i> Handle with round section, flattened at the lower attachment point, curved at top.	
	<i>Parallels:</i> Fontaine 1952: Pl. 4,12; Meyer 1987: Fig. 12,R; Dussart 2007: Fig. 7:2h–2j (6th–8th centuries)	
	<i>Comment:</i> See Cat. 75	
<b>Cat. 78</b>	<b>Handle (bowl-shaped lamp)</b>	[Fig. 11:78]
<i>Site Inv. No.</i> PL 05/229	<i>Dimensions:</i> H. 4.8; oval section 0.9	<i>Dating:</i> Undetermined
<i>Provenance:</i> Sector 1, area 1, no context	<i>Material and technique:</i> Green, flaky white iridescence.	
	<i>Description:</i> Handle of a bowl-shaped lamp, once attached to a flaring wall, folded in two and flattened, narrow suspension loop.	
	<i>Comment:</i> See Cat. 75	
<b>Cat. 79</b>	<b>Handle (jug)</b>	[Fig. 11:79]
<i>Site Inv. No.</i> PL 05/228	<i>Dimensions:</i> H. 3.7; W. max. 2.8	<i>Dating:</i> Undetermined
<i>Provenance:</i> Sector 1, area 1, no context	<i>Material and technique:</i> Olive-green, no iridescence.	
	<i>Description:</i> Ear-shaped handle once attached to a flaring neck and bulbous body. Flat section.	
	<i>Comment:</i> See Cat. 75.	

<b>Cat. 80</b>	<b>Handle or pendant waster</b>	[Fig. 11:80]
<i>Site Inv. No.</i> PL 05/340	<i>Dimensions:</i> L. 2.5; section 0.8	<i>Dating:</i> Undetermined
<i>Provenance:</i> Sector 1, area 1, no context	<i>Material and technique:</i> Black, no iridescence.	
	<i>Description:</i> Probably wasted handle or drop-shaped pendant with suspension loop.	
	<i>Parallels:</i> Davidson 1952: Nos 2125–2127; Weinberg and Goldstein 1988: Pl. 3–8 A	

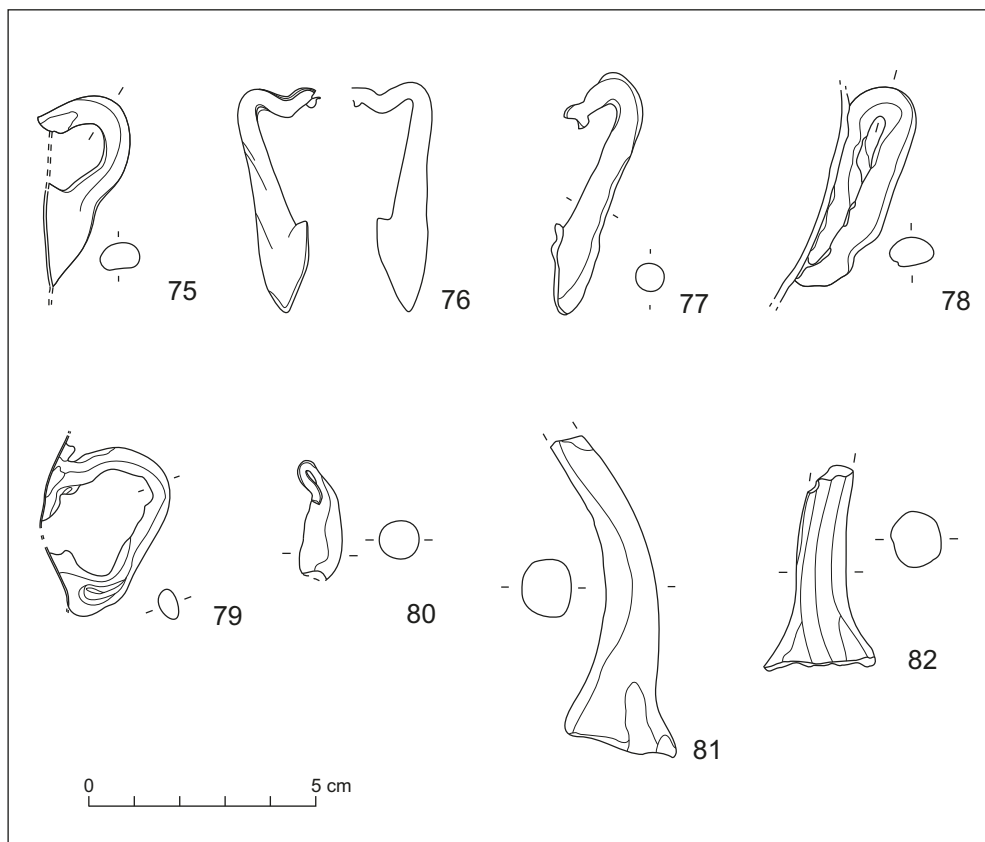


Fig. 11. Handles



<b>Cat. 81</b>	<b>Handle</b>	[Fig. 11:81]
<i>Site Inv. No.</i> PL 05/329	<i>Dimensions:</i> H. pres. 7; round section 1.3	<i>Dating:</i> Undetermined
<i>Provenance:</i> Sector 1, area 1, no context	<i>Material and technique:</i> Color unidentified under brown patina.	
	<i>Description:</i> Strap handle, lower part.	
	<i>Comment:</i> See Cat. 75	
<b>Cat. 82</b>	<b>Handle</b>	[Fig. 11:82]
<i>Site Inv. No.</i> PL 05/214	<i>Dimensions:</i> H. pres. 4.8	<i>Dating:</i> Undetermined
<i>Provenance:</i> Sector 1, area 1, no context	<i>Material and technique:</i> Green, flaky white iridescence.	
	<i>Description:</i> Fragment of a handle, lower part, ribbed.	
	<i>Comment:</i> See Cat. 75	
<b>Cat. 83</b>	<b>Small unguent or kohl container flask</b>	[Fig. 12:83]
<i>Site Inv. No.</i> PL 05/432	<i>Dimensions:</i> H. pres. 5	<i>Dating:</i> 2nd–3rd centuries
<i>Provenance:</i> Sector 1, area 1, no context	<i>Material and technique:</i> Dark green, pitted, heavy yellow and brown corrosion.	
	<i>Description:</i> Very thick flat base and thick walls, narrow inside, upper neck broken. Small interior space for the precious contents, protected by thick base and walls.	
	<i>Parallels:</i> See Harden 1936: Class XIII, Nos 823–832 (ceased to be made in the 3rd century); Hayes 1975: No. 578; Meyer 1992: Nos 168, 203–206, 208, 210 (unguentaria with solid base); Brun 2003: Fig. 245:87–93 (2nd century); Arveiller-Dulong and Nenna 2005: No. 782, Pl. 58 (Egyptian type); Kucharczyk 2005b: Fig. 3:1; 2010b: Fig. 9: 6,9; Peacock 2011: Fig. 7.2:16	
<b>Cat. 84</b>	<b>Double cosmetic tube</b>	[Fig. 12:84]
<i>Site Inv. No.</i> PL 06/2/324	<i>Dimensions:</i> H. pres. 5.4; W. 3.8; Dia. 2 and 1.5	<i>Dating:</i> 3rd–4th centuries
<i>Provenance:</i> Sector 2, locus IV	<i>Material and technique:</i> Olive green with dark green marvered threads, translucent.	
	<i>Description:</i> Lower part preserved. Two tubes joint by a flat wall 0.3 cm thick. Thread 0.3–0.4 cm spirally wounding up and marvered.	
	<i>Parallels:</i> See Sorokina 1967: Fig. 2-25; Auth 1976: No. 483; Christie's 1985: No. 23A; Arveiller-Dulong et al. 1996: Nos 96–98; Caron and Zoitopoulou 2008: No. 133	

<b>Cat. 85</b>	<b>Jug, neck and body</b>	[Fig. 12:85]
<i>Site Inv. No.</i> PL 05/436	<i>Dimensions:</i> H. pres. 4.8	<i>Dating:</i> 2nd–3rd centuries
<i>Provenance:</i> Sector 1, area 1, no context	<i>Material and technique:</i> Light olive-green, corroded.	
	<i>Description:</i> Pear-shaped body, constricted at junction with neck. One large thread all around the mid-height of the flaring neck. Rim missing. Strap handle, partly preserved, attached to the neck.	
<b>Cat. 86</b>	<b>Bead</b>	[Fig. 12:86]
<i>Site Inv. No.</i> PL 05/191	<i>Dimensions:</i> Dia. 1.2	<i>Dating:</i> Undetermined
<i>Provenance:</i> Sector 1, area 1, no context	<i>Material and technique:</i> Completely corroded, white iridescence.	
	<i>Description:</i> Circular, flattened bead with cylindrical perforation.	
<b>Cat. 87</b>	<b>Bracelet, fragment</b>	[Fig. 12:87]
<i>Site Inv. No.</i> PL 06/02/299	<i>Dimensions:</i> Dia. est. 6.2; round section 0.7	<i>Dating:</i> 6th century
<i>Provenance:</i> Sector 2, locus IV	<i>Material and technique:</i> Color unidentified under heavy iridescence.	
	<i>Description:</i> Spirally twisted (dense twist).	
	<i>Parallels:</i> Spaer 1988: Type C1a	
<b>Cat. 88</b>	<b>Bracelet, fragment</b>	[Fig. 12:88]
<i>Site Inv. No.</i> PL 05/152	<i>Dimensions:</i> Dia. est. 9	<i>Dating:</i> 6th century
<i>Provenance:</i> Sector 1, area 1, context 13	<i>Material and technique:</i> Color unidentified, dull white weathering.	
	<i>Description:</i> Circular in cross section, spirally twisted (loose twist).	
	<i>Parallels:</i> Spaer 1988: Type C1b	
<b>Cat. 89</b>	<b>Bracelet, fragment</b>	[Fig. 12:89]
<i>Site Inv. No.</i> PL 06/2/278	<i>Dimensions:</i> Dia. est. 4	<i>Dating:</i> 6th century
<i>Provenance:</i> Sector 2, locus IV	<i>Material and technique:</i> Brown, black lines all around inside.	
	<i>Description:</i> Rounded semicircular section	
	<i>Parallels:</i> Spaer 1988: Type A2a	

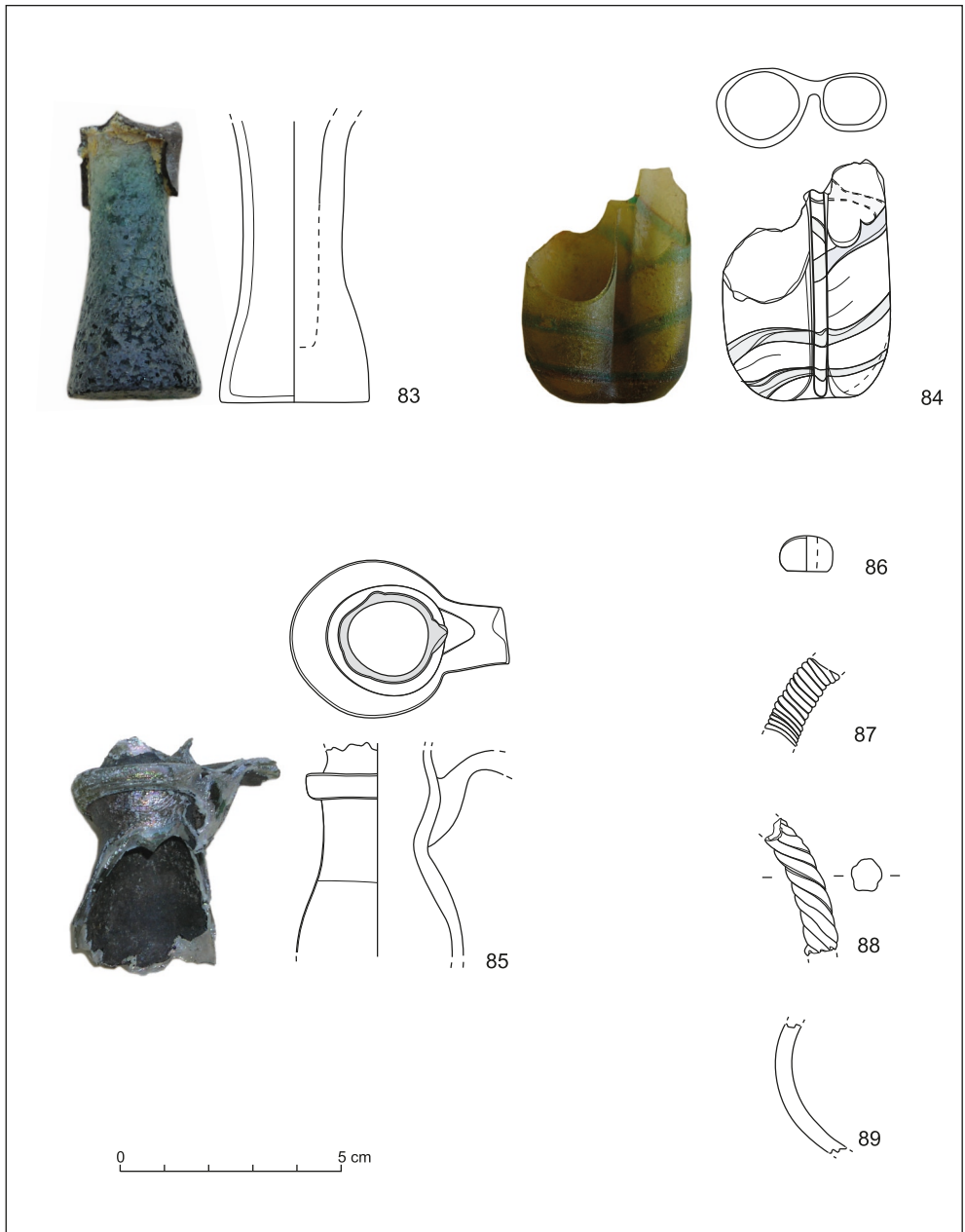


Fig. 12. Unguent flask (83), double cosmetic tube (84), jug (85), bead (86) and bracelets (87–89)

## EXTERNAL PARALLELS

A surface survey in Tell el-Kana'is, a site located a small distance away to the east of the excavation, and earlier investigations in Pelusium yielded glass fragments (Rodziewicz 1996; Fontaine 1952) mostly comparable to the present assemblage. The glass from Tell Farama fits also very well the evidence from other Egyptian sites, especially on the Mediterranean coast, including the glass mentioned in yearly reports from Alexandria (Rodziewicz 1984; Kucharczyk 2005a; 2007a; 2010a), Marina el-Alamein (Kucharczyk 2005b; 2010b), Marea (Kucharczyk 2008), as well as sites of Sinai Peninsula (Kawatoko 1996; Shindo 2003). Further close parallels come from sites throughout Egypt: Karanis (Harden 1936), Tebtynis (Foy 2001) and Naqlun in Fayum Oasis (Mossakowska-Gaubert 2000; 2004), as well as el-Ashmunein (Bailey 1998), Elephantine (Rodziewicz 2005), Eastern Desert sites (Brun 2003) and Qusair al-Qadim/Myos

Hormos on the Red Sea (Meyer 1992; Peacock 2011).

Because Pelusium is situated on the main road between the Levant and Egypt, a close resemblance to Near Eastern products is only to be expected (Foy 1996; 2000; Jennings 1997–1998; Jennings et al. 2006; Atallah and Gawlikowska 2007). More parallel forms and techniques are to be found in Syria and Jordan (Baur 1938; Riis 1957; Clairmont 1963; Gawlikowska 1986 (general remarks); Kehrberg 1986; Meyer 1987; Dussart 1998; Jones 2006; Russo 2007), as well as on Cyprus (Vessberg 1952; 1956; Chavanes 1975; Young 1993).

## ACKNOWLEDGMENTS

My thanks to Olga Wasilewska who has redrawn all the plates, Szymon Maślak and Ewa Czyżewska-Zalewska for adapting them, and Renata Kucharczyk for her invaluable remarks, especially concerning parallels from the northern coast of Egypt.

Krystyna Gawlikowska  
k.gawlikowska@uw.edu.pl

## REFERENCES

- Antonaras, A. (2008). Glass lamps of the Roman and Early Christian periods. Evidence from the Thessaloniki area. In C.-A. Roman and N. Gudea (eds), *Lychnological acts 2. Acts of the 2nd International Congress on Ancient and Middle Age Lighting Devices (Zalău – Cluj-Napoca, 13th–18th May 2006)* (pp. 23–30). Cluj-Napoca: Mega
- Arveiller-Dulong, V., Legoux, R., and Schuler, R. (1996). *Les verres antiques*. Beauvais: Musée Départemental de l'Oise
- Arveiller-Dulong, V. and Nenna, M.-D. (2005). *Les verres antiques du Musée du Louvre II. Vaisselle et contenants du I<sup>er</sup> siècle au début du VII<sup>e</sup> siècle après J.-C.* Paris: Musée du Louvre
- Atallah, M. and Gawlikowska, K. (2007). The glass in the Beiteddine Museum (Walid Joumblatt Collection). *Bulletin d'archéologie et d'architecture libanaise*, 11, 167–278
- Auth, S.H. (1976). *Ancient glass at the Newark Museum: From the Eugene Schaefer Collection of Antiquities*. Newark: Newark Museum

- Bailey, D.M. (1998). *Excavations at el-Ashmunein V. Pottery, lamps and glass of the late Roman and early Arab periods*. London: British Museum Press
- Baur, P.V.C. (1938). Other glass vessels. In C.H. Kraeling (ed.), *Gerasa, city of the Decapolis* (pp. 513–546). New Haven, CT: American Schools of Oriental Research
- Berger, L. (1960). *Römische Gläser aus Vindonissa*. Basel: Birkhäuser Verlag
- Brun, J.-P. (2003). Les objets en verre. In H. Cuvigny (ed.), *Praesidia du désert de Bérenice I.2. La route de Myos Hormos l'armée romaine dans le désert oriental d'Égypte* [=FIFAO 48/2] (pp. 516–537). Cairo: Institut français d'archéologie orientale
- Caron, B. and Zoitopoulou, E.P. (2008). *Montreal Museum of Fine Arts, Collection of Mediterranean Antiquities I. The ancient glass* [=Monumenta Graeca et Romana 13]. Leiden–Boston: Brill
- Chavane, M.-J. (1975). *Salamine de Chypre VI. Les petits objets*. Paris: De Boccard
- Christie's. (1985). *Ancient glass: Formerly the Kofler-Truniger Collection* [auction catalogue]. London: Christie, Manson & Woods
- Clairmont, C.W. (1963). *The excavations at Dura-Europos. Final report IV.5. The glass vessels*. New Haven, CT: Dura-Europos Publications
- Cohen, E. (1997). Roman, Byzantine and Umayyad glass. In Y. Hirschfeld, *The Roman baths of Hammat Gader: Final report* (pp. 396–431). Jerusalem: Israel Exploration Society
- Crowfoot, G.M. (1957). Glass. In J.W. Crowfoot, G.M. Crowfoot, and K.M. Kenyon, *The objects from Samaria* (pp. 403–422). London: Palestine Exploration Fund
- Crowfoot, G.M. and Harden, D.B. (1931). Early Byzantine and later glass lamps. *JEA*, 17(3/4), 196–208
- Davidson, G.R. (1952). *Corinth: Results of excavations conducted by the American School of Classical Studies at Athens XII. The minor objects*. Princeton, NJ: American School of Classical Studies at Athens
- Dussart, O. (1997). Les verres. In C. Clamer, J. Magness, and O. Dussart, *Fouilles archéologiques de 'Aïn Ez-Zâra/Callirrhoe: villégiature hérodiennne* [=BAH 147] (pp. 96–102). Beirut: Institut français d'archéologie du Proche-Orient
- Dussart, O. (1998). *Le verre en Jordanie et en Syrie du Sud* [=BAH 152]. Beirut: Institut français du Proche-Orient
- Dussart, O. (2003). Les verres islamiques de Qal'at Sem'an. In *Annales du 15<sup>e</sup> congrès de l'Association internationale pour l'histoire du verre: New York–Corning 2001* (pp. 171–179). Nottingham: AIHV
- Dussart, O. (2007). Fouilles de Khirbet edh-Dharih, III. Les verres. *Syria*, 84, 205–247
- Erdmann, E. (1977). Die Glasfunde von Mezad Tamar (Kasr Gehainije) in Israel. *Saalburg-Jahrbuch*, 34, 98–146
- Fontaine, A.-L. (1952). Enquête sur Péluse. *Bulletin de la Société d'Études Historiques de l'Isthme de Suez*, 4, 17–80
- Foy, D. (1995). Le verre de la fin du IV<sup>e</sup> au VIII<sup>e</sup> siècle en France méditerranéenne: premier essai de typo-chronologie. In D. Foy (ed.), *Le verre de l'antiquité tardive et du haut moyen âge: typologie, chronologie, diffusion* (pp. 187–242). Guiry-en-Vexin: Musée Archéologique Départemental du Val d'Oise

- Foy, D. (1996). Bey 002, Contexte 24: les verres. *Bulletin d'archéologie et d'architecture libanaise*, 1, 90–97
- Foy, D. (2000). Un atelier de verrier à Beyrouth au début de la conquête islamique. *Syria*, 77, 239–290
- Foy, D. (2001). Secteur nord de Tebtynis (Fayyoun): le verre byzantin et islamique. *Annales Islamologiques*, 35, 465–489
- Fremersdorf, F. (1967). *Die römischen Gläser mit Schlift, Bemalung und Goldauflagen aus Köln* [=Denkmäler des römischen Köln 8]. Cologne: Verlag der Löwe
- Fünfschilling, S. (1999). Gläser aus den Grabungen des Deutschen Archäologischen Instituts in Karthago. Die Grabungen 'Quartier Magon' und rue Ibn Chabaât sowie kleinere Sondagen. In F. Rakob (ed.), *Karthago: Die deutschen Ausgrabungen in Karthago III* (pp. 435–529). Mainz am Rhein: Philipp von Zabern
- Gawlikowska, K. (1986). The glass. In M. Gawlikowski, A residential area by the south decumanus. In F. Zayadine (ed.), *Jerash Archaeological Project I. 1981–1983* (p. 120). Amman: Department of Antiquities of Jordan
- Gawlikowski, M. (2004). Tell Farama. Preliminary report on a season of Polish–Egyptian excavations. *PAM*, 15, 67–72
- Gawlikowski, M. and Musa, A. (1986). The Church of Bishop Marianos. In F. Zayadine (ed.), *Jerash Archaeological Project I. 1981–1983* (pp. 137–162). Amman: Department of Antiquities of Jordan
- Gill, M.A.V. (2002). *Amorium reports. Finds I. The glass (1987–1997)* [=BAR IS 1070]. Oxford: Archaeopress.
- Goldstein, S.M. and Lindgren, S. (2005). The glass finds. In S.T. Stevens, A.V. Kalinowski, and H. VanderLeest, *Bir Ftouha: A pilgrimage church complex at Carthage* [=JRA Supplementary Series 59] (pp. 431–449). Portsmouth, RI: Journal of Roman Archaeology
- Gorin-Rosen, Y. (2000). Glass from monasteries and chapels in south Sinai. In U. Dahari, *Monastic settlements in South Sinai in the Byzantine period: The archaeological remains* [=LAA Reports 9] (pp. 233–245). Jerusalem: Israel Antiquities Authority
- Gorin-Rosen, Y. and Katsnelson, N. (2007). Local glass production in the late Roman–early Byzantine periods in light of the glass finds from Khirbat el-Ni'ana. *'Atiqot*, 57, 73–154
- Hadad, S. (1998). Glass lamps from the Byzantine through Mamluk periods at Bet Shean, Israel. *JGS*, 40, 63–76
- Harden, D.B. (1936). *Roman glass from Karanis found by the University of Michigan Archaeological Expedition in Egypt, 1924–29*. Ann Arbor, MI: University of Michigan Press
- Harden, D.B. (1962). Glass. In H.D. Colt (ed.), *Excavations at Nessana I* (pp. 76–91). Princeton, NJ: Princeton University Press
- Hayes, J.W. (1975). *Roman and pre-Roman glass in the Royal Ontario Museum: A catalogue*. Toronto: The Royal Ontario Museum
- Hayes, J.W. (1986). The glass. In P.M. Kenrick (ed.), *Excavations at Sabratha 1948–1951* [=JRS Monographs 2] (pp. 297–311). London: Society for the Promotion of Roman Studies
- Isings, C. (1957). *Roman glass from dated finds* [=Archaeologica Traiectina 2]. Groningen: J.B. Wolters

- Isings, C. (1965). The glass. In M.J. Vermaseren and C.C. van Essen, *The excavations in the Mithraeum of the Church of Santa Prisca in Rome* (pp. 508–529). Leiden: E.J. Brill
- Israeli, Y. (2008). The glass vessels. In J. Patrich, *Archaeological excavations at Caesarea Maritima areas CC, KK and NN: Final reports I. The objects* (pp. 369–418). Jerusalem: Israel Exploration Society
- Jakubiak, K. (2004). Tell Farama. Preliminary remarks on the stratigraphy and pottery. *PAM*, 15, 73–75
- Jakubiak, K. (2005). Tell Farama (Pelusium). Preliminary report on second season of Polish–Egyptian excavations. *PAM*, 16, 61–68
- Jakubiak, K. (2007). Tell Farama (Pelusium). Report on the third and fourth seasons. *PAM*, 17, 125–135
- Jakubiak, K. (2008). Tell Farama (Pelusium). Preliminary report after the fifth season of fieldwork. *PAM*, 18, 113–117
- Jennings, S. (1997–1998). The Roman and early Byzantine glass from the Souks excavations: an interim statement. *Berytus*, 43, 111–146
- Jennings, S. (2006). *Vessel glass from Beirut: BEY 006, 007, and 045* [= *Berytus* 48–49]. Beirut: Faculty of Arts and Sciences, American University of Beirut
- Jones, J.D. (2006). The glass. In S.T. Parker, *The Roman frontier in central Jordan: Final report on the Limes Arabicus Project, 1980–1989*, II [= *Dumbarton Oaks Studies* 40] (pp. 395–416). Washington, DC: Dumbarton Oaks Research Library and Collection
- Katsnelson, N. (1999). Glass vessels from the painted tomb at Migdal Ashqelon. *Atiqot*, 37, 67–82
- Kawatoko, M. (1996). *A port city site on the Sinai Peninsula, al-Ṭūr: The 12th expedition in 1995 (a summary report)*. Tokyo: Committee for Egyptian Islamic Archaeology, Middle Eastern Culture Center in Japan
- Kehrberg, I. (1986). Summary report on glass. In F. Zayadine (ed.), *Jerash Archaeological Project I. 1981–1983* (pp. 375–385). Amman: Department of Antiquities of Jordan
- Kondoleon, C. (2000). *Antioch: The lost ancient city*. Princeton, NJ: Princeton University Press
- Kucharczyk, R. (2002). Marea 2001: windowpanes and other glass finds. *PAM*, 13, 65–71
- Kucharczyk, R. (2005a). Early Roman glass from Marina el-Alamein. *PAM*, 16, 93–99
- Kucharczyk, R. (2005b). Islamic glass from the auditoria on Kom el-Dikka in Alexandria. *PAM*, 16, 31–41
- Kucharczyk, R. (2007a). Late Roman/early Byzantine glass from the auditoria on Kom el-Dikka in Alexandria. *PAM*, 17, 45–53
- Kucharczyk, R. (2007b). Late Roman/early Byzantine glass from the basilica in Marea. *PAM*, 17, 70–74
- Kucharczyk, R. (2008). Glass finds from the baths and sāqiyah. In H. Szymańska and K. Babraj (eds), *Marea I. Byzantine Marea: Excavations in 2000–2003 and 2006* (pp. 129–143). Kraków: Muzeum Archeologiczne w Krakowie
- Kucharczyk, R. (2010a). Glass from Area F on Kom el-Dikka (Alexandria). *PAM*, 19, 56–70
- Kucharczyk, R. (2010b). Glass from Houses 1 and 2 in Marina el-Alamein. *PAM*, 19, 114–130
- Kucharczyk, R. (2011). Glass from area F at Kom el-Dikka (Alexandria). *PAM*, 20, 56–69



- Kunina, N. (1997). *Ancient glass in the Hermitage collection*. St. Petersburg: State Hermitage
- Lightfoot, C.S. and Arslan, M. (1992). *Ancient glass of Asia Minor: The Yüksel Erimtan collection*. Ankara
- Matheson, S.B. (1980). *Ancient glass in the Yale University Art Gallery*. New Haven, CT: Yale University Art Gallery
- Meyer, C. (1988). Glass from the North Theater Byzantine church, and soundings at Jerash, Jordan, 1982–1983. In W.E. Rast and M. Zeiger (eds), *Preliminary reports of ASOR-sponsored excavations, 1982–85* (pp. 175–222). Baltimore, MD: Johns Hopkins University Press
- Meyer, C. (1992). *Glass from Quseir al-Qadim and the Indian Ocean trade* [=SAOC 53]. Chicago: Oriental Institute of the University of Chicago
- Mossakowska-Gaubert, M. (2000). Question d'éclairage : l'ermitage n° 44 à Naqlun (Fayyoun). *Annales Islamologiques*, 34, 335–357
- Mossakowska-Gaubert, M. (2004). La verrerie utilisée par les anachorètes: l'ermitage no. 44 à Naqlun (Fayyoun). In M. Immerzeel and J. van der Vliet (eds), *Coptic studies on the threshold of a new millennium: Proceedings of the Seventh International Congress of Coptic Studies, Leiden, August 27 – September 2, 2000*, II [=OLA 133] (pp. 1443–1470). Leuven: Peeters
- Nenna, M.-D. (2001). Le mobilier en verre. In J.-Y. Empereur and M.-D. Nenna (eds), *Nécropolis 1* [=Études Alexandrines 5] (pp. 505–512). Cairo: Institut français d'archéologie orientale
- Nenna, M.-D., Guimier-Sorbets, A.-M., Kassab Tezgör, D., Rodziewicz, E., and Seif El-Din, M. (2003). Le mobilier non céramique et les terres cuites. Secteur 5 de la fouille du pont de Gabbari. In J.Y. Empereur and M.-D. Nenna (eds), *Nécropolis 2* [=Études Alexandrines 7] (pp. 511–531). Cairo: Institut français d'archéologie orientale
- Olczak, J. (1995). Szkło rzymskie z terenu komendantury w Novae [Roman glass from the area of the principia at Novae]. *Novaensia*, 8, 15–85 [in Polish]
- Peacock, D. (2011). Glass. In D. Peacock and L. Blue (eds), *Myos Hormos – Quseir al-Qadim: Roman and Islamic ports on the Red Sea II. Finds from the excavations 1999–2003* [=BAR IS 2286] (pp. 57–78). Oxford: Archaeopress
- Pirling, R. (1978). Die römischen und byzantinischen Glasfunde von Apamea in Syrien. In *Annales du 7<sup>e</sup> Congrès international d'étude historique du verre: Berlin–Leipzig, 15–21 août 1977* (pp. 137–147). Liège: Association internationale pour l'histoire du verre
- Riis, P.J. (1957). Les verreries. In P.J. Riis and V. Poulsen, *Hama : fouilles et recherches de la Fondation Carlsberg (1931–1938) IV.2. Les verreries et poteries médiévales* [=Nationalmuseets skrifter. Større beretninger 3] (pp. 30–116). Copenhagen: Nationalmuseet
- Rodziewicz, M. (1984). *Les habitations romaines tardives d'Alexandrie: à la lumière des fouilles polonaises à Kôm el-Dikka* [=Alexandrie 3]. Warsaw: Éditions Scientifiques de Pologne
- Rodziewicz, M. (1996). Topography and chronology of the artefacts. In H. Jaritz, S. Favre, G. Nogara, and M. Rodziewicz, *Pelusium: prospection archéologique et topographique de la région de Tell el-Kana'is: 1993 et 1994* [=Beiträge zur Ägyptischen Bauforschung und Altertumskunde 13] (pp. 53–54). Stuttgart: Franz Steiner
- Rodziewicz, M.D. (2005). *Elephantine XXVII. Early Roman industries on Elephantine* [=AV 107]. Mainz am Rhein: Philipp von Zabern



- Russo, A.R. (2007). Reperti di vetro dagli scavi di tell Barri (Giazira, Siria): produzione, circolazione, consumo. In M. Sartre (ed.), *Productions et échanges dans la Syrie grecque et romaine: actes du colloque de Tours, juin 2003* [= *Topoi Supplement* 8] (pp. 215–229). Lyon: Maison de l'Orient Méditerranéen
- Rütti, B. (1991). *Die römischen Gläser aus Augst und Kaiseraugst* [= *Forschungen in Augst* 13]. Augst: Römermuseum
- Saldern, A. von. (1974). *Gläser der Antike: Sammlung Erwin Oppenländer. Katalog*. Mainz am Rhein: Philipp von Zabern
- Saldern, A. von. (1980a). *Ancient and Byzantine glass from Sardis* [= *Archaeological Exploration of Sardis Monographs* 6]. Cambridge, MA: Harvard University Press
- Saldern, A. von. (1980b). *Glas von der Antike bis zum Jugendstil: Sammlung Hans Cohn, Los Angeles, Cal.* Mainz am Rhein: Philipp von Zabern
- Saldern, A. von, Nolte, B., La Baume, P., Haevernick, T.E. (1974). *Gläser der Antike. Sammlung Oppenländer*. Mainz am Rhein
- Shindo, Y. (1992). Glass. In K. Sakurai and M. Kawatoko (eds), *Egyptian Islamic city: Al-Fustat. Excavations report, 1978–1985* (pp. 304–335). Tokyo: Waseda Daigaku Shuppanbu
- Shindo, Y. (2003). Islamic glass finds from Raya, southern Sinai. In *Annales du 15<sup>e</sup> congrès de l'Association internationale pour l'histoire du verre: New York–Corning 2001* (pp. 180–184). Nottingham: Association internationale pour l'histoire du verre
- Slim, L. (1971–1972). Verres romains inédits d'El-Jem. *Bulletin de l'Association internationale pour l'histoire du verre*, 6, 136–151
- Sorokina, N.P. (1967). Das antike Glas der Nordschwarzmeerküste. In *Annales du 4<sup>e</sup> Congrès international d'étude historique du verre: Ravenne–Venise, 13–20 mai 1967* (pp. 67–79). Liège: Association internationale pour l'histoire du verre
- Spaer, M. (1988). The pre-Islamic glass bracelets of Palestine. *JGS*, 30, 51–61
- Sternini, M. (1995). Il vetro in Italia tra V e IX secoli. In D. Foy (ed.), *Le verre de l'antiquité tardive et du Haut Moyen Âge: typologie, chronologie, diffusion* (pp. 243–289). Guiry-en-Vexin: Musée Archéologique Départemental du Val d'Oise
- Sternini, M. (1999). I vetri provenienti dagli scavi della missione italiana a Cartagine (1973–1977). *JGS*, 41, 83–103
- Sternini, M. (2001). Reperti in vetro da un deposito tardoantico sul colle Palatino. *JGS*, 43, 21–75
- Sternini, M. (2004). I vetri provenienti dagli scavi 1979–1980. In A. Di Vita (ed.), *Gortina VI. Scavi 1979–1982* (pp. 469–491). Padua: Bottega d'Erasmus
- Tatton-Brown, V. (1984). The glass. In H.R. Hurst and S.P. Roskams, *Excavations at Carthage I.1. The Avenue du Président Habib Bourguiba, Salammbô. The site and finds other than pottery* (pp. 194–212). Oxford: Oxford University Press
- Uboldi, M. (1995). Diffusione delle lampade vitree in età tardoantica e altomedievale e spunti per una tipologia. *Archeologia Medievale*, 22, 93–145
- Vessberg, O. (1952). Roman glass in Cyprus. *Opuscula Archaeologica*, 7, 109–165
- Vessberg, O. (1956). Glass: typology – chronology. In O. Vessberg and A. Westholm, *The Swedish Cyprus expedition IV.3. The Hellenistic and Roman periods in Cyprus* (pp. 128–175, 193–219). Stockholm: The Swedish Cyprus expedition

- Weinberg, G.D. and Goldstein, S.M. (1988). The glass vessels. In G.D. Weinberg, *Excavations at Jalame: Site of a glass factory in Late Roman Palestine* (pp. 38–102). Columbia, MO: University of Missouri Press
- Whitehouse, D. (1990). Late Roman cameo glass. In *Annales du 11<sup>e</sup> Congrès de l'Association internationale pour l'histoire du verre: Bâle, 29 août–3 septembre 1988* (pp. 193–198). Amsterdam: Association internationale pour l'histoire du verre
- Whitehouse, D. (1997). *Roman glass in the Corning Museum of Glass I*. Corning, NY: Corning Museum of Glass
- Whitehouse, D. (2001). *Roman glass in the Corning Museum of Glass II*. Corning: Corning Museum of Glass
- Whitehouse, D. (2003). *Roman glass in the Corning Museum of Glass III*. Corning: Corning Museum of Glass
- Young, S.H. (1993). A preview of seventh-century glass from the Kourion basilica, Cyprus. *JGS*, 35, 39–47